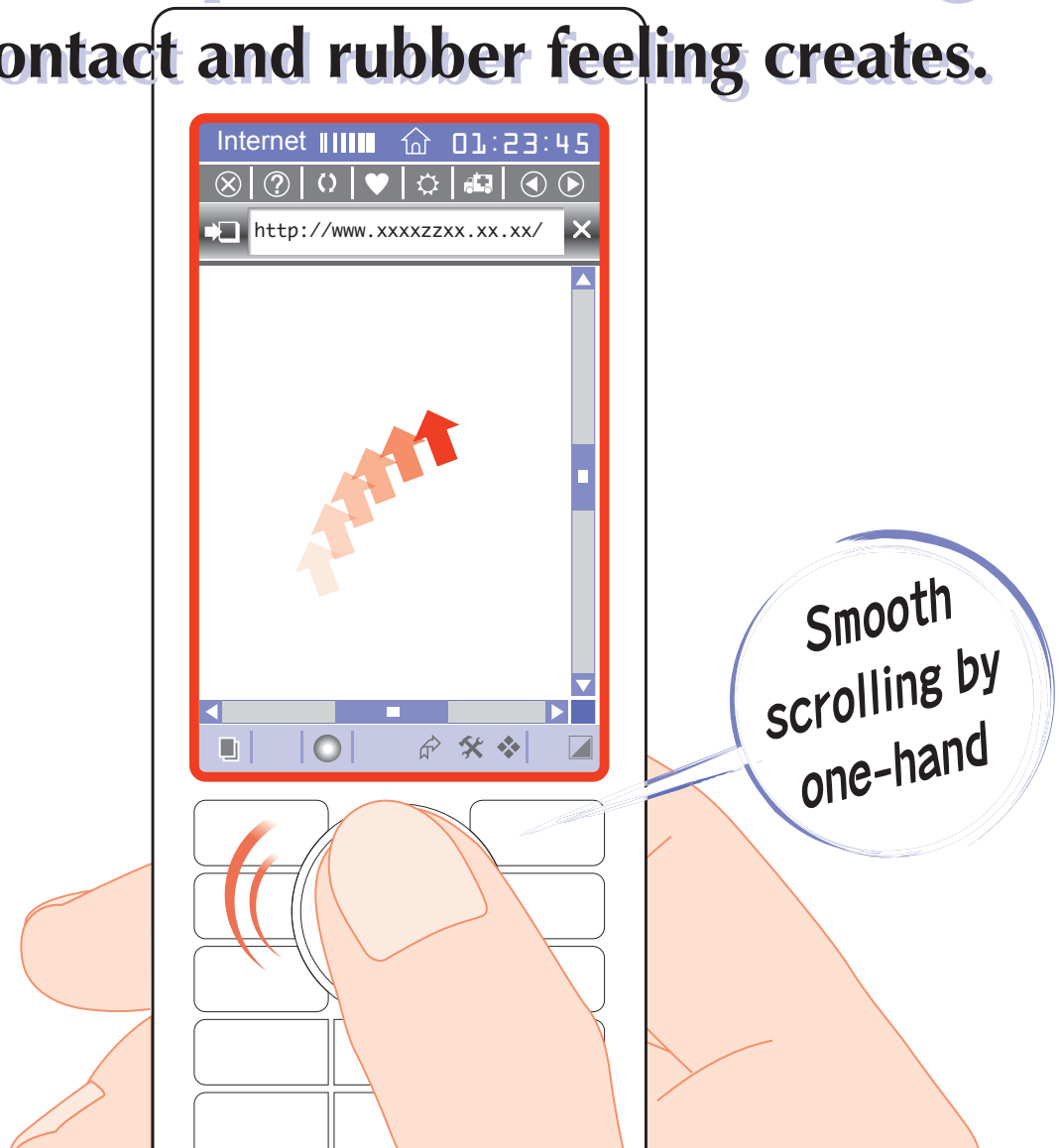


## Multi Control Devices Slide Operation Type Stick Switch with 8-contact and Center Push Function

SSAF Series

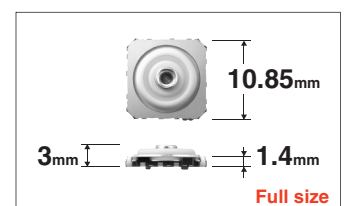
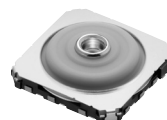
New  
2008

# Smooth operational feeling that 8-contact and rubber feeling creates.



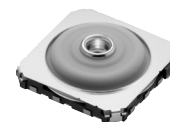
**1.4mm height low-profile type with 8-contact and center push function.**

- □ 10.85mm, 3mm stem, 1.4mm height, a low-profile type.
- Slide operation has soft feeling by rubber.
- Available for reflow soldering.



# Multi Control Devices Slide Operation Type Stick Switch with 8-contact and Center Push Function

SSAF Series



**1.4mm height low-profile type with 8-contact and center push function.**

## Applications

Portable electronic devices such as mobile phones, personal digital assistants, etc.

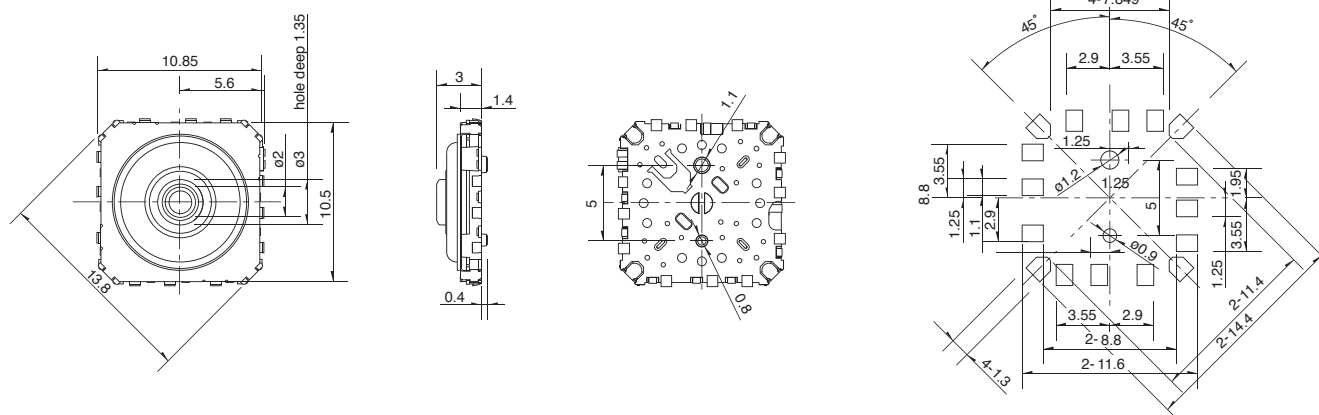
## Specifications

Item	Specifications	
Products No.	SSAF120100	SSAF220100
Dimensions (W×D×H)	10.85×10.85×3mm	
Slide operating force	0.5N	
Slide ON travel	0.65mm	
Push operating force	2.5N	
Push ON travel	0.2mm	
Rating (max.) (Resistive load)	20mA 5V DC	
Operating life	500,000cycles	
Location Lug	With	Without

## Dimensions

Unit:mm

PC board mounting hole dimensions



## Cautions for Use

1. The specifications herein are an overview of the specifications. Obtain official specifications before use.
2. Unless specifically indicated otherwise, products herein have been designed and manufactured for use in ordinary electronic equipment, such as AV equipment, electric home appliances, office machines and communication equipment. In case of using the products for highly sensitive applications such as medical, aviation, aerospace and security, the set makers shall require to include measures necessary to meet product safety requirements of such specific applications. Such measure may include additional protection circuits and redundant circuits, for example.
3. The external appearance, performances, and other properties of the product are subject to change for improvement without prior notice. The product introduced in this catalog may be discontinued without prior notice.
4. All product names, company names and names of standards described in this catalog are trademarks or registered trademarks of their respective owners.
5. Contact us for any enquiries and queries on our products and their uses.
6. This catalog is valid till the end of December 2008.

## Inquiries about Products

Products Information Center +81 (3) 5499-8154  
Products Catalog Site <http://www3.alps.com>

**ALPS**<sup>®</sup>  
**ALPS ELECTRIC CO., LTD.**  
1-7, Yuki-gaya-otsuka-machi, Ota-ku, Tokyo, 145-8501