

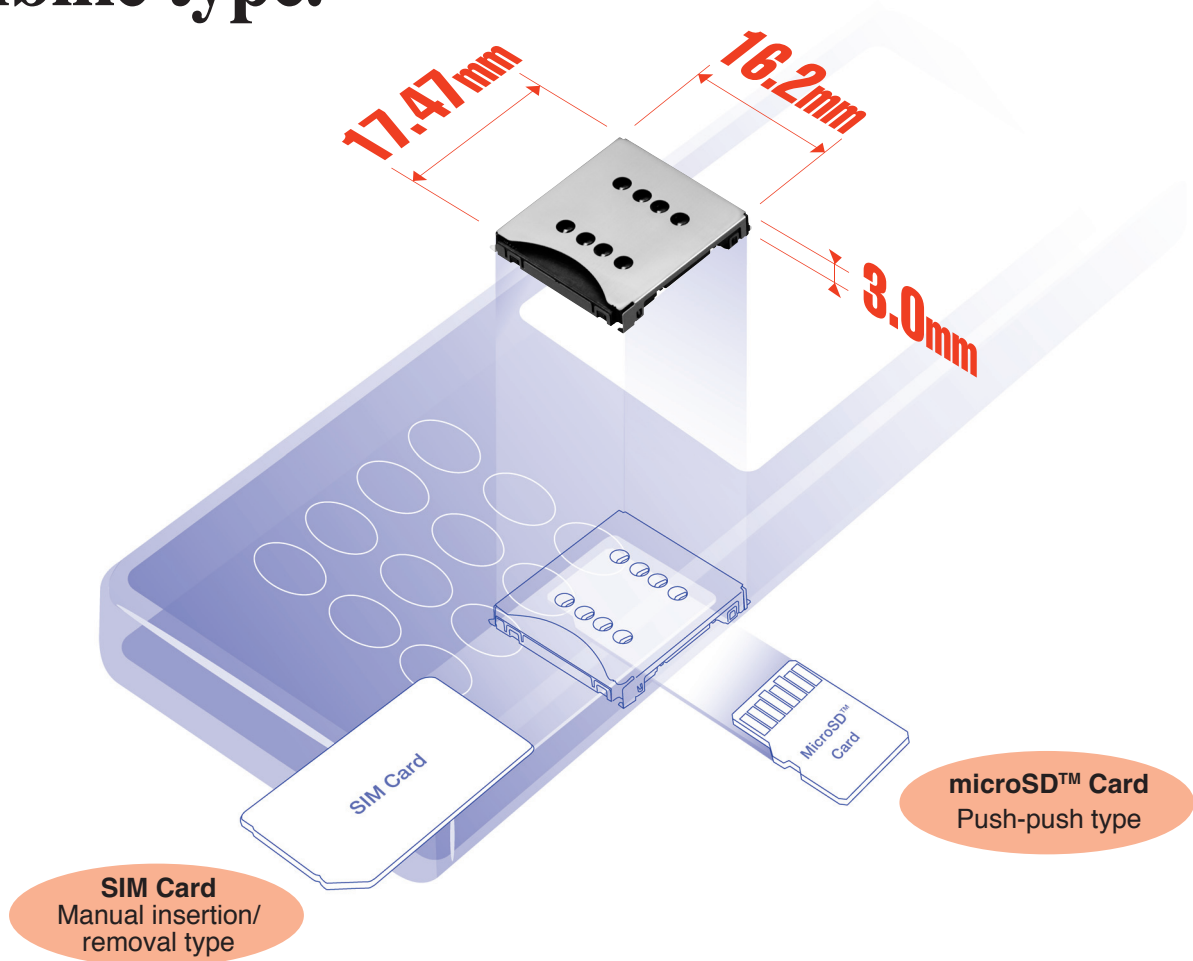
# SIM Card (8 pins) Connector (Combine Type/Thin Type)

# ALPS®

New  
2008

SCHG1B/SCGC1B Series

## Double-deck for SIM Card (8 pins) combine type.



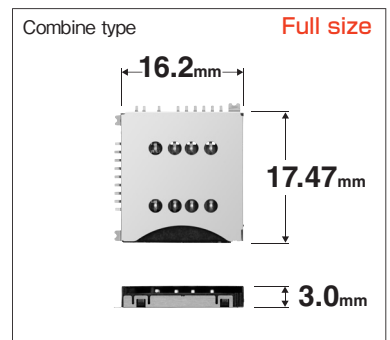
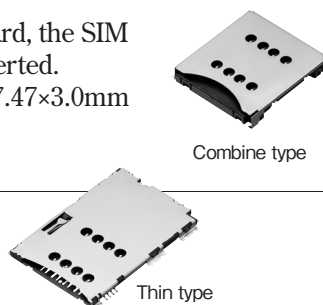
**Exceptionally reliable and precise connector that achieves high evenness with insert guide structure.**

### Combine type SCHG1B

- Two-slot, double-deck structure enables two types of card, the SIM Card (8 pins) and microSD™ Card, to be separately inserted.
- Compact and low-profile with dimensions of 16.2×17.47×3.0mm (W×D×H).
- Reflow solderable.

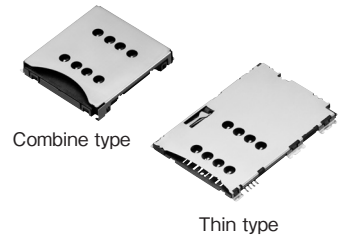
### Thin type SCGC1B

- Thin type 1.55mm push-push type.
- Equipped with card detection switch.



# SIM Card (8 pins) Connector (Combine Type/Thin Type)

SCHG1B/SCGC1B Series



**Exceptionally reliable and precise connector that achieves high evenness with insert guide structure.**

## Applications

Mobile phones, personal digital assistants, notebook PCs, etc.

## Typical Specifications

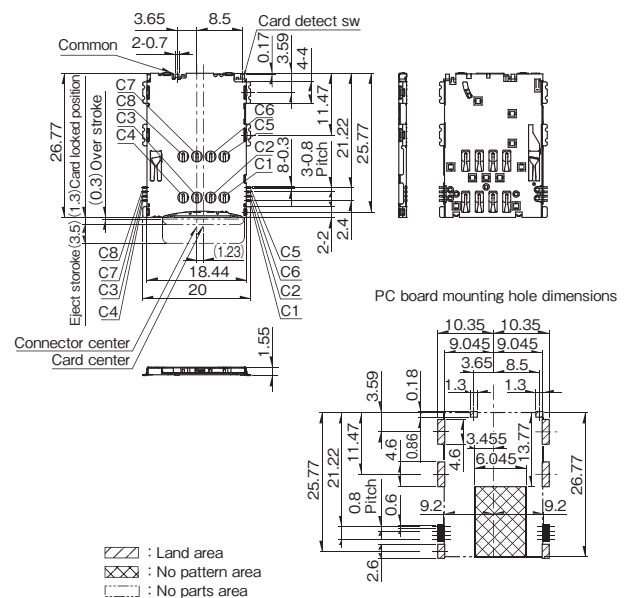
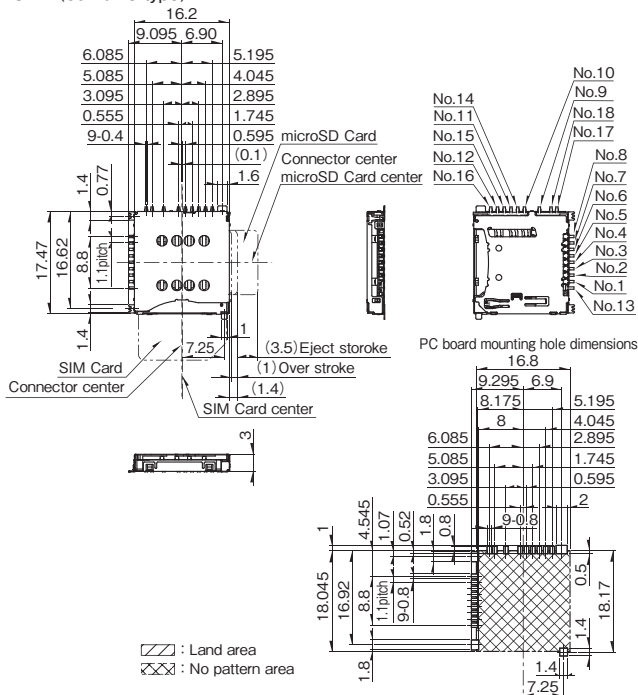
| Items                    |                                 | Specifications                                   |   |
|--------------------------|---------------------------------|--|---|
| Structure                | Product number                  | SCHG1B (combine type)                            | SCGC1B (thin type)                      |
|                          | Applicable media                | SIM Card (8pins)/microSD™Card                    |   |
|                          | Dimensions (W×D×H)              | 16.2×17.47×3.0mm                                 | 18.44×26.77×1.55mm                      |
|                          | Mounting type                   | Surface mounting type                            |   |
|                          | Mounting style                  | Standard mount                                   |   |
| Media ejection structure |                                 | Manual insertion/removal, push-push type         | Push-push type                          |
|                          | Operating temperature range     | -25°C to +70°C                                   |   |
| Performance              | Voltage proof                   | 500V AC 1 minute                                 |   |
|                          | Insulation resistance (initial) | 1,000MΩ min.                                     |   |
|                          | Contact resistance (initial)    | 100mΩ max. 500mΩ max. (microSD™detection switch) | 100mΩ max. 500mΩ max. (detector switch) |
|                          | Insertion and removal cycle     | 5,000cycles (SIM) 10,000cycles (microSD™)        | 5,000cycles                             |

## Dimensions

SCHG1B (combine type)

SCGC1B (thin type)

Unit:mm



※The information in this catalog is based on our research as of August 2008.

## Cautions for Use

1. The specifications herein are an overview of the specifications. Obtain official specifications before use.
2. Unless specifically indicated otherwise, products herein have been designed and manufactured for use in ordinary electronic equipment, such as AV equipment, electric home appliances, office machines and communication equipment. In case of using the products for highly sensitive applications such as medical, aviation, aerospace and security, the set makers shall require to include measures necessary to meet product safety requirements of such specific applications. Such measure may include additional protection circuits and redundant circuits, for example.
3. The external appearance, performances, and other properties of the product are subject to change for improvement without prior notice. The product introduced in this catalog may be discontinued without prior notice.
4. microSD are trademarks of SD Association.
5. All product names, company names and names of standards described in this catalog are trademarks or registered trademarks of their respective owners.
6. Contact us for any enquiries and queries on our products and their uses.
7. This catalog is valid till the end of December 2008.

## Inquiries about Products

Products Information Center +81 (3) 5499-8154  
Product information site <http://www3.alps.com/e/>

**ALPS**<sup>®</sup>  
**ALPS ELECTRIC CO., LTD.**  
1-7, Yukigaya-otsukamachi, Ota-ku, Tokyo, 145-8501, Japan