

Hollow Shaft Type Device 39mm Size LED-illuminated Potentiometer

RK39A Series

NEW
2009

39mm type added for more flexible design.

Placing LEDs near the lighting surface improves knob illuminance of set products.



NEW
Compact 39mm type

45mm type
with wide center space

Can be customized in LED colors, operation feel, and number of detents, to meet the needs of high-grade car air conditioners.

- Compact design (projected size is reduced by approx. 20% from our existing model - RK45B) but in a hollow shaft structure with wide inner diameter of 20mm
- Chip LED built-in for easier unification of colors.
- Best shape and precise molding technology realized less shaft wobble and more comfortable operation feel.
- Contributes to more flexibility in set design, by offering 45mm type with 25mm inner diameter.

NEW
39mm type



Current 45mm type

Hollow Shaft Type Device 39mm Size LED-illuminated Potentiometer

RK39A Series



Can be customized in LED colors, operation feel, and number of detents, to meet the needs of high-grade car air conditioners.

Applications

For car air conditioner controls including temperature, fan speed, and mode changeovers.

For various controllers of car audio equipment.

Typical Specifications

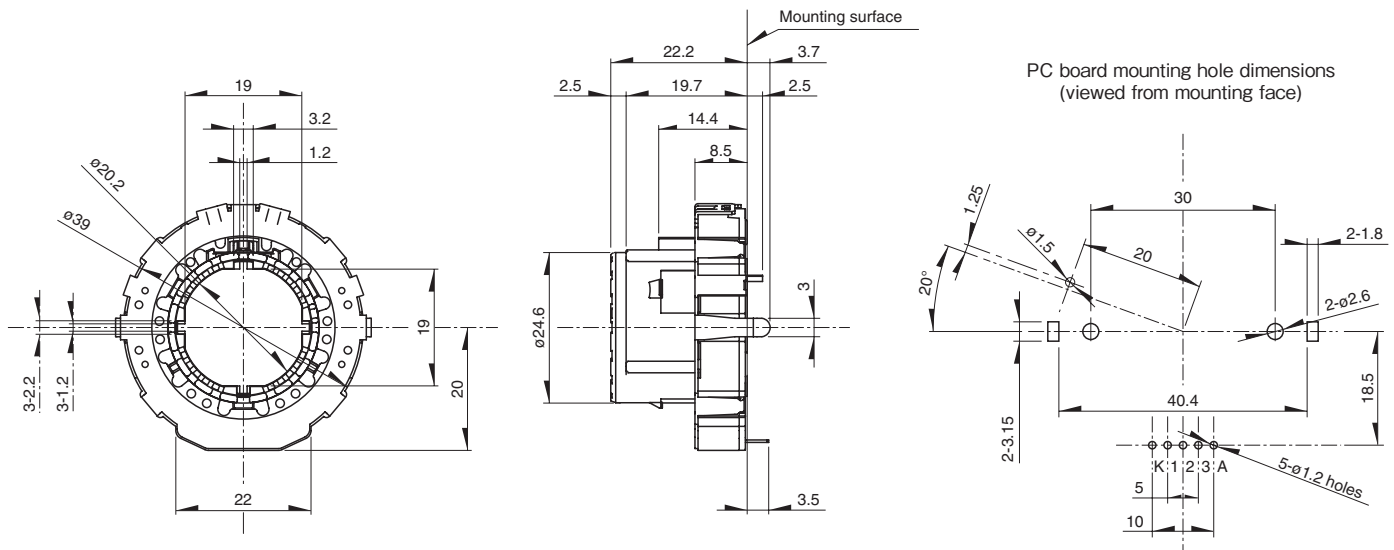
Items	Specifications
Dimensions (W×D×H)	39.0×39.5×8.5mm
Hollow space diameter	φ20.2mm
Operating temperature range	-40°C to +85°C
Rating (max.)	0.05W
Total resistance	5kΩ
Total resistance tolerance	±20%

Items	Specifications
Operating life	30,000cycles
Total rotational angle	220° ± 5° (Total rotational angle 290° max.)
Number of detent	17 detents
Detent torque	40mN·m
LED color	Red, Ice Blue, Green, and White

Dimensions

RK39A Series

Unit:mm



Precautions when handling our products

- For the export of products which are controlled items subject to foreign and domestic export laws and regulations, you must obtain approval and/or follow the formalities of such laws and regulations.
- Products must not be used for military and/or antisocial purposes such as terrorism, and shall not be supplied to any party intending to use the products for such purposes.
- Unless provided otherwise, the products have been designed and manufactured for application to equipment and devices which are sold to end-users in the market, such as AV (audio visual) equipment, home electric equipment, office and commercial electronic equipment, information and communication equipment or amusement equipment. The products are not intended for use in, and must not be used for, any application of nuclear equipment, driving control equipment for aerospace or any other unauthorized use.
With the exception of the above mentioned banned applications, for applications involving high levels of safety and liability such as medical equipment, burglar alarm equipment, disaster prevention equipment and undersea equipment, please contact an Alps sales representative and/or evaluate the total system on the applicability. Also, implement a fail-safe design, protection circuit, redundant circuit, malfunction protection and/or fire protection into the complete system for safety and reliability of the total system.
- Before using products which were not specifically designed for use in automotive applications, please contact an Alps sales representative.

Cautions for using this catalog

- The specifications herein are an overview of the specifications. Obtain official specifications before use.
- The colors of the products in the catalog may slightly differ from those of the actual products.
- The external appearance, functions and other specifications herein may be changed for improvement and other reasons without prior notice. Furthermore, the products herein may discontinue without prior notice.
- All product names, company names and names of standards described in this catalog are trademarks or registered trademarks of their respective owners.
- The contents of this catalog are according to Alps Electric as of January 2009.
- This catalog is valid until the end of December 2009.

Inquiries about products

Products information center
+81 (3) 5499-8154
Products information site
<http://www3.alps.com/e/>

Perfecting the Art of Electronics

ALPS[®]
ALPS ELECTRIC CO., LTD.
1-7, Yukigaya-otsukamachi, Ota-ku, Tokyo, 145-8501, Japan