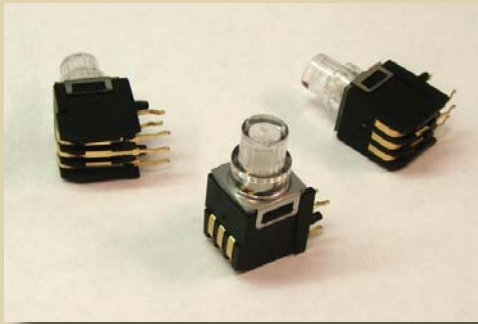


SERIES TL1290 SWITCHES



TACT SWITCHES ILLUMINATED - RIGHT ANGLE



MECHANICAL SPECIFICATIONS

Force:	500 +/- 125 gf
Travel:	1.0 +/- 0.2mm to Electrical Make 2.0 +/- 0.2mm Full Travel

ELECTRICAL SPECIFICATIONS

Electrical Life:	25,000 cycles
Bounce:	5 mSeconds max
Contact Rating:	100mA @ 32VDC
Contact Resistance:	250mΩ (initial max)
Insulation Resistance:	100MΩ (Min @ 500VDC)
Dielectric Strength:	250VAC

ENVIRONMENTAL SPECIFICATIONS

Operating Temperature:	-20°C to +70°C
Storage Temperature:	-30°C to +80°C

FEATURES & BENEFITS

Right Angle, through hole termination
Multiple LED color options
Gold plated contacts for high reliability switching
Sharp, tactile response
Long travel

APPLICATIONS / MARKETS

Consumer Electronics
Audio/visual
Medical
Testing/Instrumentation
Telecommunications
Computer/Servers/Peripherals

HOW TO ORDER:

SERIES

TL

MODEL NO.

1290

ACTUATOR

A

OPERATING FORCE

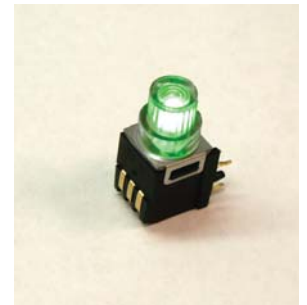
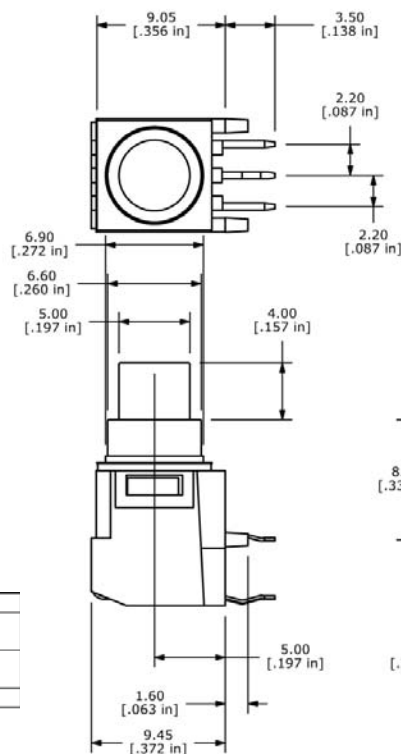
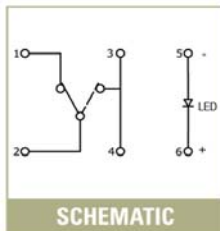
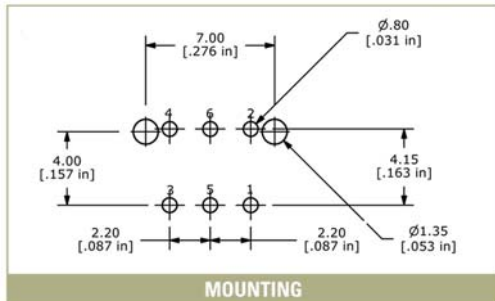
F500 = 500 Grams

LED COLOR

B = Blue
R = Red
G = Green
Y = Yellow

PLATING

R = Gold



	Blue	Red	Green	Yellow
Forward Current (mA)	30mA	40mA	30mA	30mA
Forward Voltage @ 20mA	3.5-4.0 VDC	1.5-2.4 VDC	1.7-2.8 VDC	1.7-2.8 VDC
Luminous Intensity	350-700 mcd	75-120 mcd	60-100 mcd	45-75 mcd