

9mm Size Metal Shaft Potentiometer

- **Features** Smallest Audio Industry Series
Ideal for TV / Audio / Video / General Purpose
Compact size / high performance

Type Potentiometer: R097 Series

Size / Travel: 09

Product Series: 7

Number of Shafts: 1

Number of Elements: 1 & 2

Style: X

Resistance Codes:
 103 10kΩ
 203 20kΩ
 503 50kΩ
 104 100kΩ

Tapers:
 A Audio
 B Linear

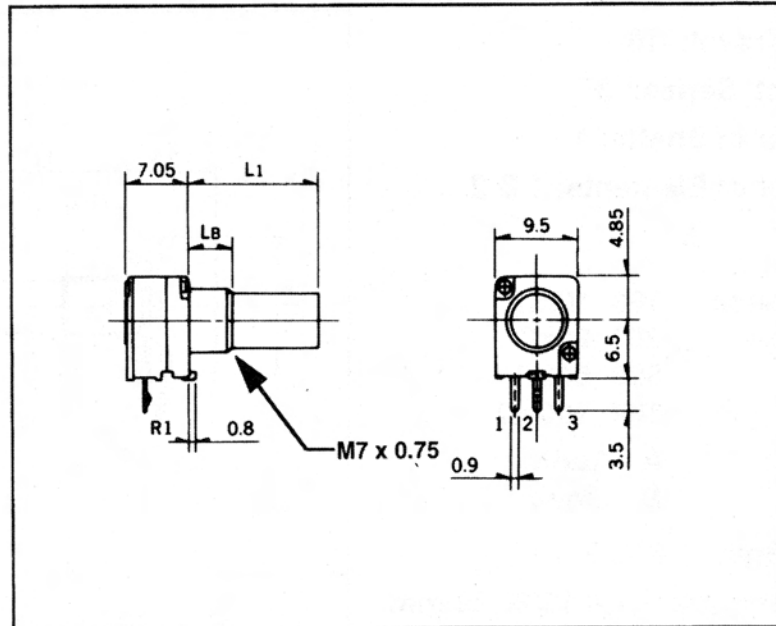
Shaft Style: K & F

Shaft Length: L1 = 15 mm

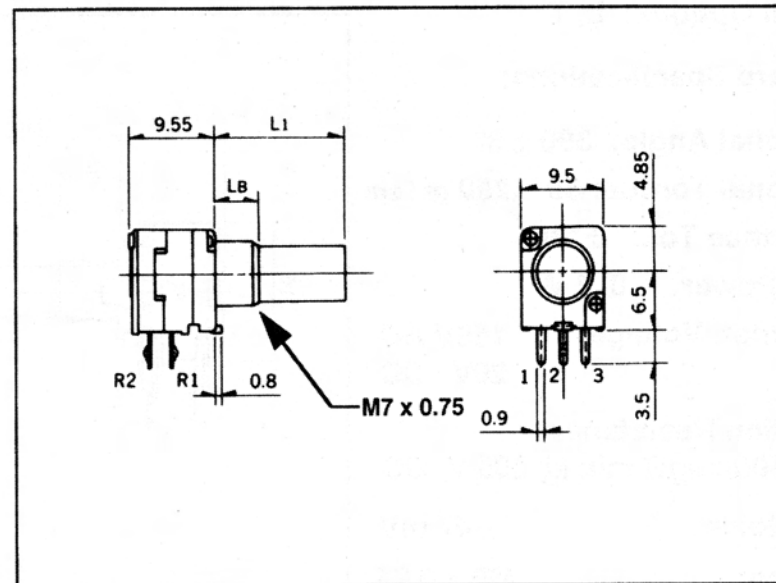
Standard Available Options: D
 (indicates Center Detent)

Standard Specifications:

- Rotational Angle: $300 \pm 5^\circ$
- Rotational Torque: 20 ~ 250 gf / cm
- Resistance Tol.: $\pm 20\%$
- Rated Power: .05 W
- Max. Oper. Voltage: 50V AC
10V DC
- Insulation Resistance: 100megΩ min @ 250 V DC
- Slide Noise: $\leq 100\text{mV}$



Mounting Height: H = 6.5 mm



POTENTIOMETERS &

THERMOSTATS & ENCODERS

16mm Size Metal Shaft Potentiometer

**NEW
PRODUCTS**

- **Features** The Standard of the Audio Industry
Ideal for TV / Audio / Video / General Purpose Applications
Compact Size / High Performance

Type Potentiometer: R163 Series

Size / Travel: 16

Product Series: 3

Number of Shafts: 1

Number of Elements: 1 & 2

Style: X

Resistance 103 10k Ω
Codes: 203 20k Ω
 503 50k Ω
 104 100k Ω

Tapers: A Audio
 B Linear

Shaft Style: K & F

Shaft Length: L1 = 15/20/25 mm

Standard Available Options: D
(indicates Center Detent)

Special Options: L, T

Standard Specifications:

Rotational Angle: $300 \pm 3^\circ$

Rotational Torque: 30 ~ 250 gf / cm

Resistance Tol.: $\pm 20\%$

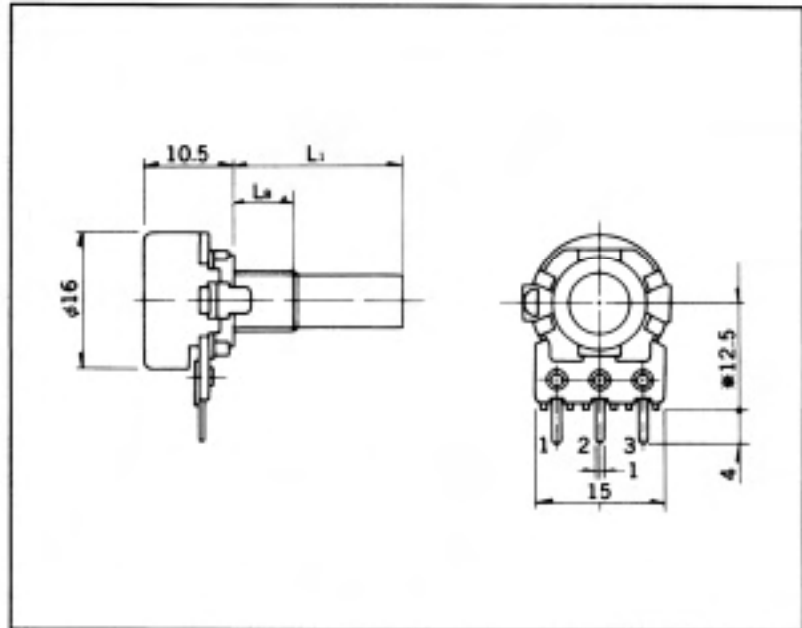
Rated Power: 0.1 W

Max. Oper. Voltage: 150V AC
 20V DC

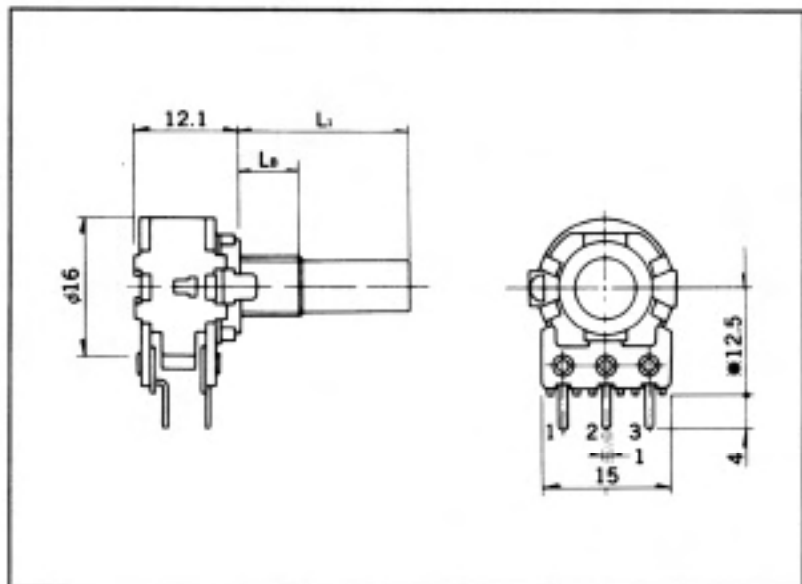
Insulation Resistance:
100meg Ω min @ 500 V DC

Slide Noise: ≤ 47 mV

Bushing: M9 x 0.75



Mounting Height: H = 12.5 mm



27 mm Size Metal Shaft *High Performance* Potentiometer

**NEW
PRODUCT** **12**

- **Features** Standard of the Audio Industry
 Ideal for *High End Audio* & General Purpose Applications
 Precision Characteristics / High Performance

Type Potentiometer: R27 Series
 Size / Travel: 27
 Product Series: 1
 Number of Shafts: 1
 Number of Elements: 2
 Style: X

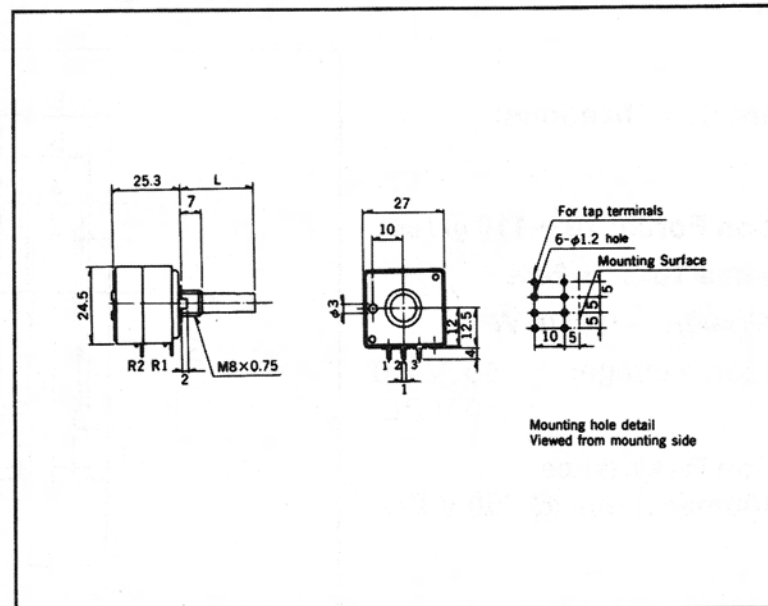
Resistance Codes:
 103 10kΩ
 203 20kΩ
 503 50kΩ
 104 100kΩ

Tapers:
 A Audio
 B Linear

Shaft Style: K & F
 Shaft Length: L1 = 25 mm
 Special Options: D, D31*
 (* D31 indicates 31 detents)

Standard Specifications:

Rotational Angle: $300 \pm 3^\circ$
 Rotational Torque: 30 ~ 250 gf / cm
 Resistance Tol.: $\pm 20\%$
 Rated Power: 0.1 W
 Max. Oper. Voltage: 150V AC
 20V DC
 Insulation Resistance:
 100megΩ min @ 500 V DC
 Slide Noise: $\leq 47\text{mV}$
 Bushing: M8 x 0.75



Mounting Height: H = 12.5 mm

P
O
T
E
N
T
I
O
M
E
T
E
R
S
&
T
H
E
R
M
O
S
T
A
T
S
&
E
N
C
O
D
E
R
S

Low Profile Master Slide Potentiometer

- **Features** The Performance Standard of the Audio Industry
 Ideal for TV / Audio / Video / Lighting Control / General Purpose Applications
 Low Profile / High Performance / High Quality Tactile Feel

Type Potentiometer: SA0N Series

Size (Travel): A0 (100 mm)

Product Series: N

Number of Levers: 1

Number of Elements: 1

Style: X

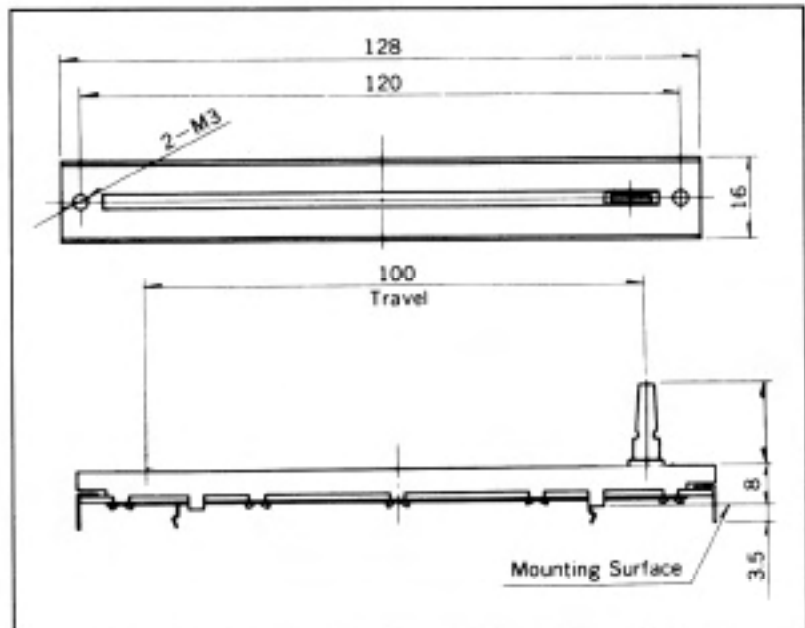
Resistance Codes:
 103 10k Ω
 203 20k Ω
 503 50k Ω
 104 100k Ω

Tapers:
 A Audio
 B Linear

Lever Style: 4

Lever Length: L1 = 20 mm

Special Options: L, T



Mounting Height: H = 8 mm

Standard Specifications:

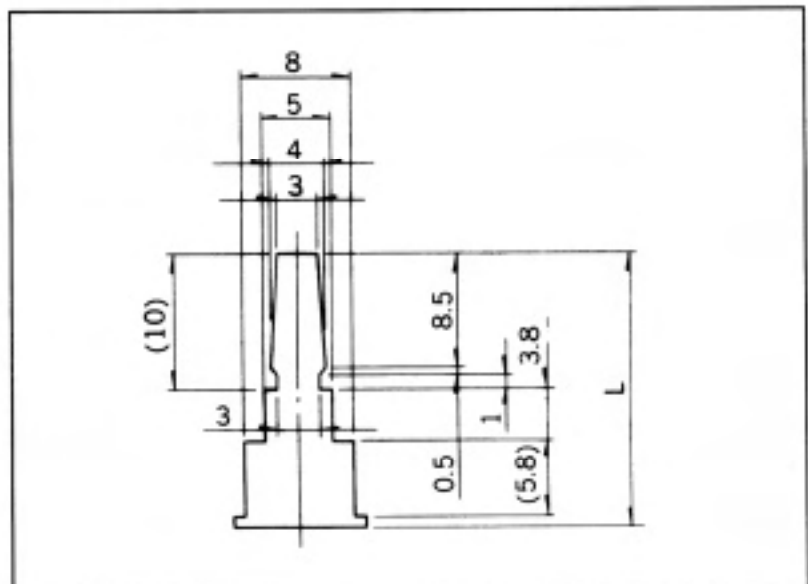
Operation Force: 10 ~ 110 gf / cm

Resistance Tol.: $\pm 20\%$

Rated Power: 0.025 W

Max. Oper. Voltage: 500V AC
 10 V DC

Insulation Resistance:
 100meg Ω min @ 250 V DC



Standard Super Slide® Potentiometer

- **Features** Performance Standard of the Audio Industry
 Ideal for TV / Audio / Video / Lighting Control / General Purpose Applications
 Low Profile / High Performance / High Quality Tactile Feel

Type Potentiometer: Sxx1 Series

Size (Travel): 15, 30, 45, 60 mm

Product Series: 1

Number of Levers: 1

Number of Elements: 1

Style: X

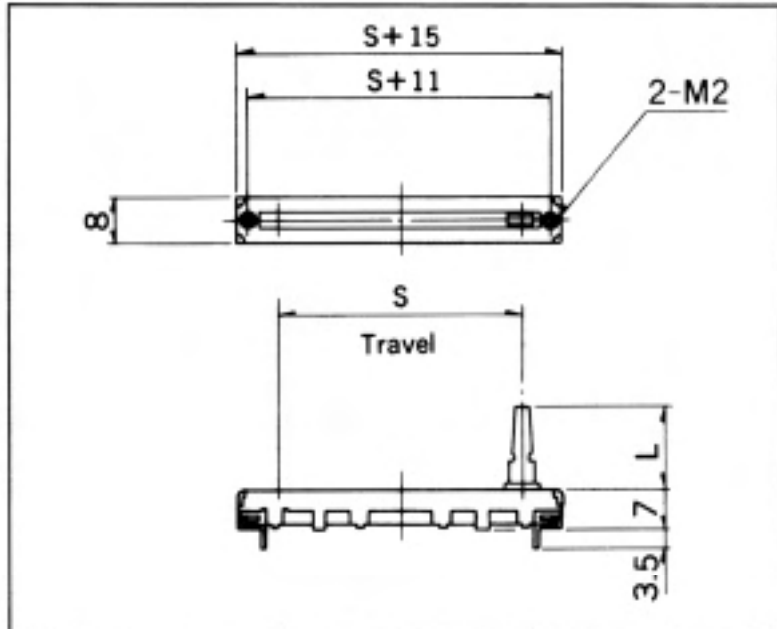
Resistance Codes: 103 10kΩ
 203 20kΩ
 503 50kΩ
 104 100kΩ

Tapers: A Audio
 B Linear

Lever Style: 4

Lever Length: L1 = 20 mm

Special Options: D, T



Mounting Height: H = 7 mm

Standard Specifications:

Operation Force: 30 ~ 250 gf / cm

Resistance Tol.: ± 20%

Rated Power: 0.025 W

Max. Oper. Voltage: 50V AC
 10V DC

Insulation Resistance:
 100megΩ min @ 250 V DC

