

BVM3

27.8 x 10.1 x 17.65mm



KB5

41.0 x 15.53 x 21.97mm

BVM3F & KB5F SERIES

Positive action switches with 3mm contact gap.

Part Number	Operating Force	Actuators
BVM3F	450cN	Plunger
BVM3FY	450cN	13.7mm Straight
BVM3FYR	500cN	11.7mm Roller
KB5F	300cN	Plunger
KB5FK	225cN	33.5mm Straight
KB5FKR	225cN	30.5mm Roller

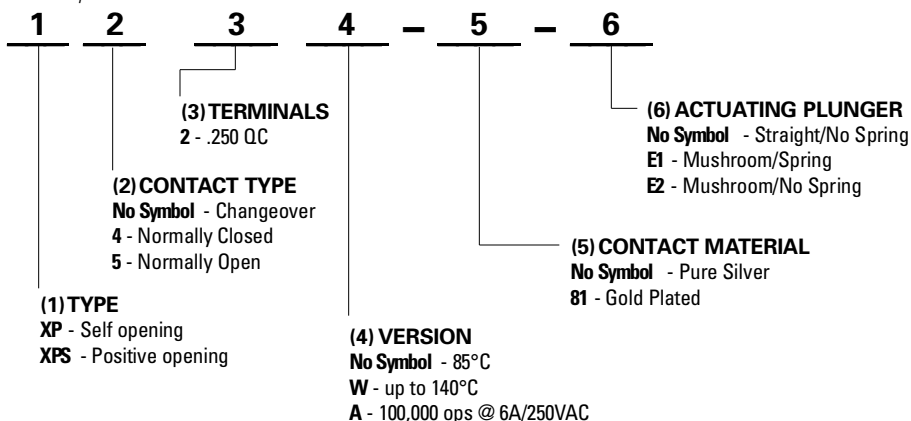


30 x 12 x 41.3mm

XP SERIES

Security switch with 3mm contact gap.

Enter product codes



49.4 x 17.6 x 24.38mm

CT2 SERIES

Single pole, snap action, change over microswitches.

Part Number	Operating Force	Actuators
CT2-A2	420cN	Pin Plunger
CT2C-A2	640cN	Overtravel Plunger with cowl
CT2D2-A2	420cN	Low profile overtravel plunger
CT2K2-A2	22cN	Straight Lever 63.5mm
CT2K-A2	90cN	Straight Lever 63.5mm & spring
CT2KR2-A2	210cN	Short Roller Lever 26.2mm
CT2KR-A2	130cN	Roller Lever 47.6mm
CT2M-A2	220cN	Reverse Action Straight Lever 56mm
CT2MR3-A2	670cN	Reverse Action Straight Lever 17.8mm
CT2MR-A2	220cN	Reverse Action Straight Lever 52.8mm
CT2Q-A2	420cN	Large Overtravel Plunger with Screwed Sleeve
CT2QR/1021-A2	420cN	Large Overtravel with In-line Roller
CT2QR2/1021-A2	420cN	Large Overtravel with Across-line Roller
CT2QR-A2	420cN	Large Overtravel with In-line Roller
CT2S-A2	420cN	Small Diameter Overtravel Plunger

All terminals are screws with cup washers.



F4

12.8 x 5.1 x 11.2mm

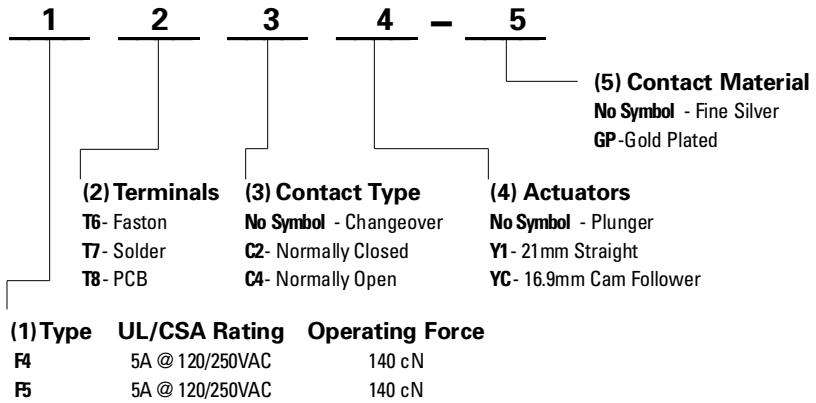


F5

12.8 x 5.1 x 7.75mm

F4/F5 SERIES

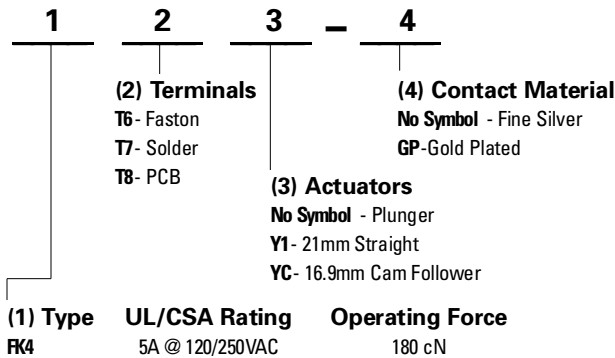
One of the worlds smallest snap action switches with high current ratings and a long and reliable life.



17.6 x 5.1 x 11.75mm

FK4 SERIES

A single pole double break snap-action switch.



LPDP

19.15 x 14.15 x 9.2mm

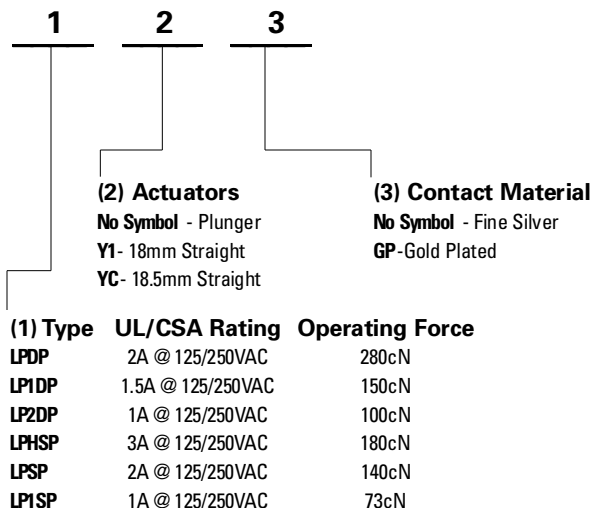


LPSP

19.15 x 7.1 x 9.2mm

LP SERIES

Low profile single and double pole switches.



2

S W I T C H E S & K N O B S



14.7 x 5.4 x 11.3mm

F6 SERIES

Ultraminiature sealed switch with long overtravel.

Rating- 50mA @ 250VAC & 2mA @ 12-24VDC
 PC Terminals
 Operating Temperature- -40°C to +85°C
 Sealed to IP67



14.4 x 5.7 x 6.5mm

F1NCST8 SERIES

Ultraminiature sealed switch with side facing terminals.

Rating- 1A @ 125/250VAC & 2A 30VDC
 PC Terminals
 Operating Temperature- -40°C to +85°C
 Sealed to IP54

F1NCST8 **1** **2** **-** **3**

(1) Contact Type
 No Symbol - Changeover
 C2 - Normally Closed
 C4 - Normally Open

(2) Actuators
 No Symbol - Button
 A1- 18mm Straight
 AC- 18.5mm Cam Follower

(3) Contact Material
 No Symbol - Fine Silver
 GP-Gold Plated



21.7 x 10.5 x 29.2mm

CV3S SERIES

Miniature sealed snap-action switch.

CV3S **1**

UL/CSA Rating - 5A up to 250VAC & 30VDC
Contact Type - Single pole Changeover
Contact Material - Fine Silver
Temperature Range - -10°C- +85°C
Sealed To - IP67
Leadwires - PVC 18 Gauge 0.5m (19.7") long

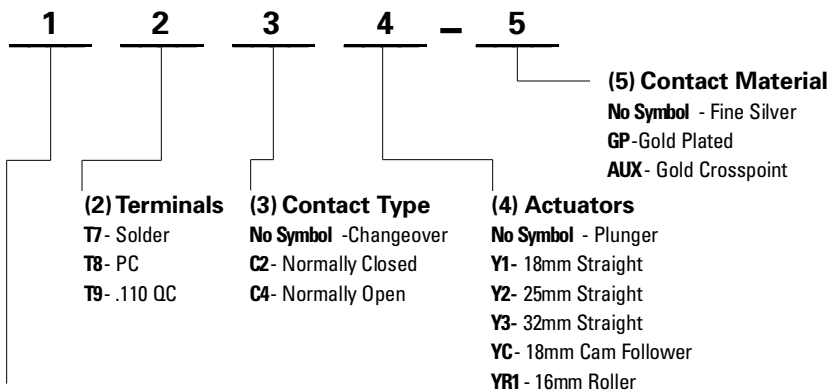
(1) Actuators
 No Symbol - Pin Plunger
 Y1 - 26.2 mm Straight
 YR - 11.7mm Roller
 YR1 - 24.2mm Roller



20 x 6.4 x 11.7mm

V4N / V4L SERIES

Subminiature microswitch, the V4L switch has an extremely long overtravel.



(1) Type	UL/CSA Rating	Operating Force
V4N	5A @ 125/250VAC	140 cN
V4N2	2A @ 125/250VAC	50 cN
V4L*	5A @ 125/250VAC	240 cN

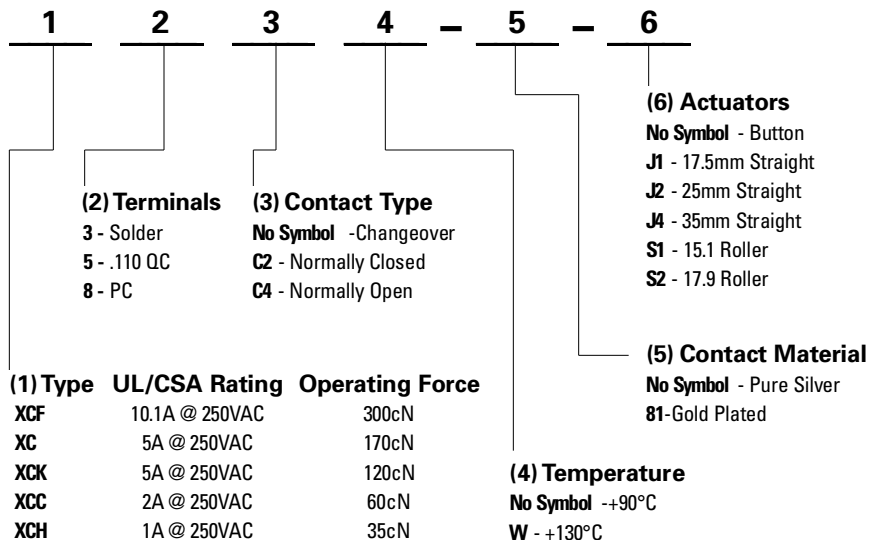
*Long Overtravel



19.8 x 6.4 x 11.15mm

XC SERIES

Subminiature microswitch with wide variety of operating forces, and levers.



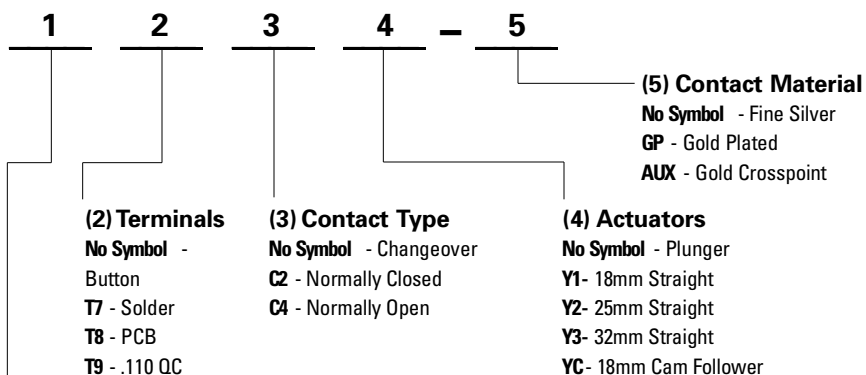
(1) Type	UL/CSA Rating	Operating Force
XCF	10.1A @ 250VAC	300cN
XC	5A @ 250VAC	170cN
XCK	5A @ 250VAC	120cN
XCC	2A @ 250VAC	60cN
XCH	1A @ 250VAC	35cN

V4NST / V4LST SERIES

Subminiature sealed microswitch, V4LST7 has extremely long overtravel. Sealed to IP54



20 x 6.4 x 11.7mm



(1) Type	UL/CSA Rating	Operating Force
V4NST	5A @ 125/250VAC & 30VDC	250 cN
V4LST*	5A @ 125/250VAC & 30VDC	250 cN

*Long Overtravel

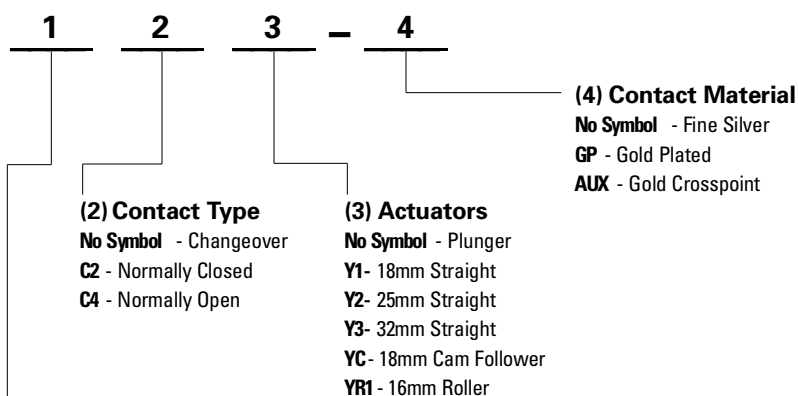


Leadwires - 22Gauge
0.5m (19.7") long
Sealed to IP54

20 x 6.4 x 17.9mm

V4NS / V4LS SERIES

Subminiature sealed microswitch with leadwires, V4LS has extremely long overtravel.



(1) Type	UL/CSA Rating	Operating Force
V4NS	3A @ 125/250VAC & 30VDC	250 cN
V4LS*	3A @ 125/250VAC & 30VDC	250 cN

*Long Overtravel



27.8 x 10.3 x 18.55mm

XG SERIES

Miniature snap-action switch with a wide variety of operating forces and levers.

1	2	3	4	-	5	-	6
	<p>(2) Contact Type No Symbol - Changeover C2 - Normally Closed C4 - Normally Open</p>	<p>(3) Terminals 2 - .250 QC 3 - Solder 6 - .187 QC 7 - Screw Terminals</p>					<p>(6) Actuators No Symbol - Button J20 - 13.5mm Straight J22 - 24mm Straight J24 - 32mm Straight S20 - 12.8mm Roller S21 - 25.9mm Roller</p>
<p>(1) Type</p>	<p>UL/CSA Rating</p>	<p>Operating Force</p>			<p>(5) Contact Material No Symbol - Pure Silver 81 - Gold Plated</p>		
XGT	25A @ 250VAC	320cN			<p>(4) Temperature No Symbol - 0°C W - +130°C A - +90°C (100,000 Op.) AW - +130°C (100,000 Op.)</p>		
XGB	21A @ 250VAC	170cN					
XG	15A @ 250VAC	320cN					
XGA*	15A @ 250VAC	320cN					
XGM	15A @ 250 VAC	200cN					
XGO	15A @ 250VAC	120cN					
XGK	12A @ 250VAC	150cN					
XGB *	12A @ 250VAC	150cN					
XGC	10A @ 250VAC	80cN					
XGH	10A @ 250VAC	45cN					

* Low Differential Travel



70 x 70 x 103.5mm

JOYSTICK CONTROLLERS

J8	1,	2	3	4,	5
	<p>(1) Number of Gates 0 - Stirring Action 2 - 2 Gates at 180° 4 - 4 Gates at 90°</p>	<p>(2) Switches per Gate 1, 2 or 3</p>	<p>(3) Type of Action 1 - Momentary 2 - Latch-in 3 - Stirring</p>		<p>(5) Type of Switch 113 - XG3 - Z1 116 - XG2 - Z1 118 - XG6 - Z1 158 - CV3S - UL 213 - XC3-Z1 220 - V4NST7 221 - V4NS</p>
				<p>(4) Type of Operation 1 - Normal 2 - Lift to operate</p>	