
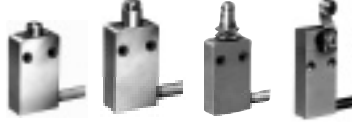











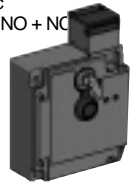








## Safety Limit Switches

# 2

# S W I T C H E S & K N O B S

| PACKAGE STYLE   | FEATURES   | PART NUMBER REFERENCE  |
|---|--|--|
| <br><b>Enclosed Limi<sup>t</sup></b> | 10A UL, cUL<br>CE, IP67<br>NEMA<br>2.0 meter cable<br>Positive Opening | <br>Euro Style<br>US Style<br>83870102 83871102 83872102 83873102<br>83880102 83881102 83882102 83883102   |
| <br><b>Compact Limit Switch</b>      | 10A UL, cUL<br>CE, IP66<br>NEMA<br>Positive Opening<br>1/2" NPT        | <br>Plastic<br>Metal<br>Manual Reset Plastic<br>Manual Reset Metal<br>83853001 83853501 83853301 83853303 83853601 83853304 83853101<br>83852001 83852501 83852301 83852303 83852601 83852304 83852101<br>83857011 83857511 83857311 83857313 83857111<br>83856011 83856511 83856311 83856313 83856111 |
| <br><b>Limit Switch</b>              | 10A UL, cUL<br>CE, IP66<br>NEMA<br>Positive Opening<br>1/2" NPT        | <br>Metal<br>83862001 83862501 83862301 83862303 83862601 83862304 83862101  |

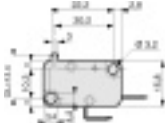
## Key Lock Limit Switches

|  |  |   |  |  |  |   |   |
|--|--|---|--|--|--|---|---|
| <br>Plastic<br>NO + NC 83893001<br>NO + NO 83893010 | <br>Plastic<br>NO + NC + NC83893120<br>NO + NO + NC83893130 | <br>Plastic<br>NO + NC<br>24v AC/DC 83893201<br>120v AC/DC 83893202<br>230v AC/DC 83893203 | <br>Metal<br>NO + NC + NC83894020 | <br>Plastic<br>NO +<br>24v AC/DC 83894120<br>110v AC/DC83894121<br>220v AC/DC83894122 | <br>Plastic<br>NO + NO + NC<br>24v AC/DC 83893130<br>110v AC/DC83893131<br>220v AC/DC83893132 |   |   |
| <br>79214581  | <br>79214582  | <br>79214585   | <br>79214584                      | <br>79214583  | <br>79214578   | <br>79214579 | <br>79214585 |

## Other Safety Products

|   |  |  |  |   |   |
|---|--|--|--|---|---|
| <br>Rotary Lever<br>83893302 | <br>Hinge<br>83893401 | <br>Foot Switch with Shroud<br>83895101 | <br>Foot Switch<br>83895001 | <br>Cable Pull Limit<br>83894201 | <br>Light Towers<br>Call for information |
|---|--|--|--|---|---|

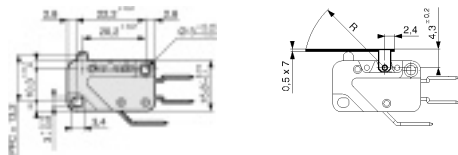
**Positive Opening Miniature Switch**



Switch is UL, cUL recognized and CE compliant. Rated for 10A continuous use. Switch operating principle forces the contacts open even in the event of welding. Conforms to IEC 947.5.1. Due to IEC norms, actuator cannot extend beyond the plunger.

| PART NUMBER | DESCRIPTION                                   |
|-------------|---|
| 831607B2/0  | SPNC Solder terminals plunger                 |
| 831607B3/0  | SPNC 1/4" Quick connects plunger              |
| 831607B6/0  | SPNC 3/16" Quick connects plunger             |
| 831607B2/A  | SPNC Solder terminals with flat actuator      |
| 831607B3/A  | SPNC 1/4" Quick connects with flat actuator   |
| 831607B6/A  | SPNC 3/16" Quick connects with flat actuator  |
| 831607B2/E  | SPNC Solder terminals with roller plunger     |
| 831607B3/E  | SPNC 1/4" Quick connects with roller plunger  |
| 831607B6/E  | SPNC 3/16" Quick connects with roller plunger |

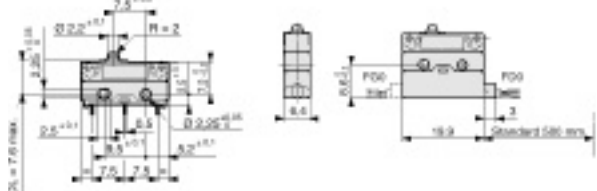
**Miniature Switch**



Switch is UL, cUL recognized and CE compliant. Switch incorporates flexible-blade technology which allows the switch to retain a high contacts pressure throughout the travel of the plunger. This results in long life, lower operating forces with higher current ratings and wide differential between the operate and release force. Actuators can be mounted in three different locations providing various forces and tolerances of the trip point thus, allowing one switch/actuator to perform three different functions. Referenced actuator lengths below are from the standard "B" mounting position. All part numbers listed are with 3/16" quick connects. Solder, 1/4" and screw terminals are also available.

| PART NUMBER      | DESCRIPTION                       |
|------------------|-----------------------------------|
| 831612C6/0       | 15.1 Amp pin plunger 120 grams OF |
| 831613C6/0       | 10.1 Amp pin plunger 80 grams OF  |
| 831614C6/0       | 6 Amp pin plunger 50 grams OF     |
| 831615C6/0       | 4 Amp pin plunger 25 grams OF     |
| 831615C6/OSP4136 | 4 Amp pin plunger 15 grams OF     |
| 831619C6/0       | 0.1 Amp pin plunger 25 grams OF   |
| 831619C6/OSP4136 | 0.1 Amp pin plunger 15 grams OF   |
| 831612C6/BB      | 15.1 A straight lever 1" long     |
| 831613C6/BB      | 10.1 A straight lever 1" long     |
| 831615C6/BB      | 4 A straight lever 1" long        |
| 831618C6/BB      | 0.1 A straight lever 1" long      |
| 831612C6/CB      | 15.1 A straight lever 2" long     |
| 831613C6/CB      | 10.1 A straight lever 2" long     |
| 831615C6/CB      | 4 A straight lever 2" long        |
| 831612C6/EB      | 15.1 A short roller 1/2" long     |
| 831613C6/EB      | 10.1 A short roller 1/2" long     |
| 831612C6/GB      | 15.1 A roller 1" long             |
| 831613C6/GB      | 10.1 A roller 1" long             |
| 831615C6/GB      | 4 A roller 1" long                |
| 831619C6/GB      | 0.1 A roller actuator             |
| 831613C6/H2B     | 10.1 A simulated roller           |
| 831613C6/L       | 10.1 A Threaded barrel pushbutton |

**Sealed Sub-miniature Switches**



Switch is waterproof with an IP67 rating. Terminals version has .110" quick connects, solder terminals and various PC board mount configurations. Lead version has 0.50 meter length as standard. Wire or cable output through either side and bottom.

| PART NUMBER   | DESCRIPTION                            |
|---------------|--|
| 831810C1/0    | 0.1 A pin plunger .110" quick connects |
| 831830C1/0    | 3 A pin plunger .110" quick connects   |
| 831860C1/0    | 6 A pin plunger .110" quick connects   |
| 831800C1/0    | 10 A pin plunger .110" quick connects  |
| 831810C2/0    | 0.1 A pin plunger solder terminals     |
| 831860CFD0/0  | 6 A pin plunger 0.50 mtr wire output   |
| 831810C1/BL   | 0.1 A straight lever 1" long           |
| 831860C1/BL   | 6 A straight lever 1" long             |
| 831860CFD0/BL | 6 A straight lever 1" long             |
| 831810C1/EL   | 0.1 A roller lever                     |
| 831860C1/EL   | 6 A roller lever                       |
| 831860CFD0/EL | 6 A roller lever                       |
| 831810C1/FL   | 0.1 A simulated roller                 |
| 831860C1/FL   | 6 A simulated roller                   |
| 831860CFD0/FL | 6 A simulated roller                   |

**Sub-miniature SPDT-DB switches**

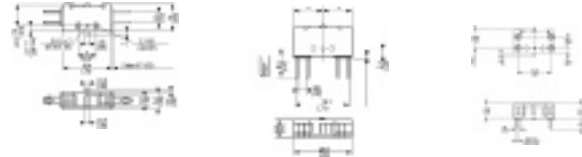


Fig. 1

Fig. 2

Fig. 3

Switches are rated for 5A 1/10HP 125/250Vac. The double break is ideal for DC as well as AC currents offering approximately double the life of an equivalent SPDT switch.

| PART NUMBER | FIG. | DESCRIPTION                      |
|-------------|------|----------------------------------|
| 831320C1/0  | 1    | pin plunger .110" quick connects |
| 831330C1/0  | 2    | pin plunger .110" quick connects |
| 831340C2/0  | 3    | pin plunger PC board mount       |
| 831330C1/CL | 2    | straight actuator 1.4"           |
| 831330C1/FL | 2    | roller actuator .56"             |

**Miniature SPDT-DB Switches**



Fig. 1

Fig. 2

| PART NUMBER | FIG. | DESCRIPTION                 |
|-------------|------|-----------------------------|
| 831060C3/0  | 1    | 10A pin plunger 1/4" QC     |
| 831540C3/0  | 2    | 10A 127Vdc Magnetic Blowout |
| 831060C3/EL | 1    | Roller lever 1.85"          |
| 831540C3/EL | 2    | Roller lever 1.85"          |