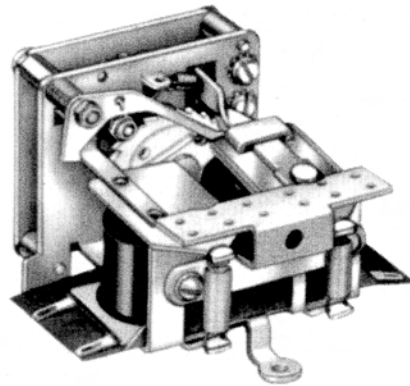




# ELECTRICAL RESET

## MER

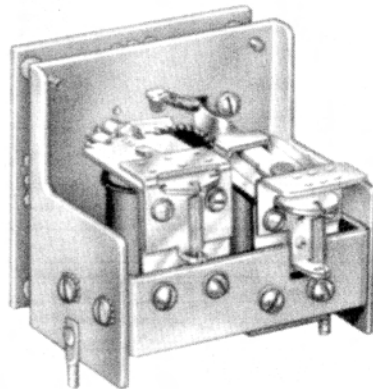
- Can be reset to zero or home from any position
- 24 contact points
- Contacts rated 1.5 amps at 120 VAC
- Standard/stock AC voltage 120
- Standard/stock DC voltage 24
- Weight 11-1/2 oz. (292.1 grams)



Coil Voltage	OHMS Stepping Coil	OHMS Reset Coil	No. of Points	No. of Active Points	Max Steps Per Sec.	PART NUMBERS
120VAC	110	450	24	22	20	MER-120AC
24VDC	30	77	24	22	20	MER-24DC

## PER

- Can be reset to zero or home from any point
- 40 contact points
- Contacts rated 1.5 amps at 120 VAC
- Standard/stock AC voltage 120
- Weight 22 oz. (558.8 grams)

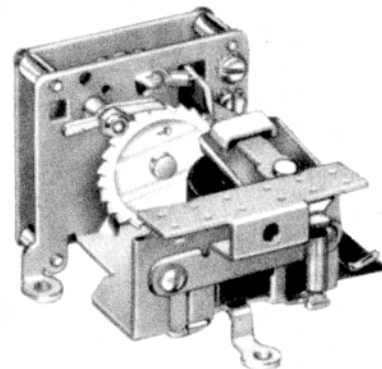


Coil Voltage	OHMS Stepping Coil	OHMS Reset Coil	No. of Points	No. of Active Points	Max Steps Per Sec.	PART NUMBERS
120VAC	70	320	40	36	20	PER/40-120AC

# CONTINUOUS ROTATION

## MC

- 24 contact points
- Contacts rated 1.5A at 120 VAC
- Standard/stock AC voltage 120
- Weight 9.5 oz. (241.3 grams)



Coil Voltage	OHMS Stepping Coil	No. of Points	No. of Active Points	Max Steps Per Sec.	PART NUMBERS
120VAC	170	24	24	20	MC-120AC



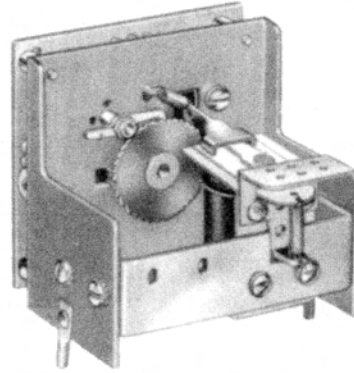
# CONTINUOUS ROTATION

**7**

**RELAYS**

## PC

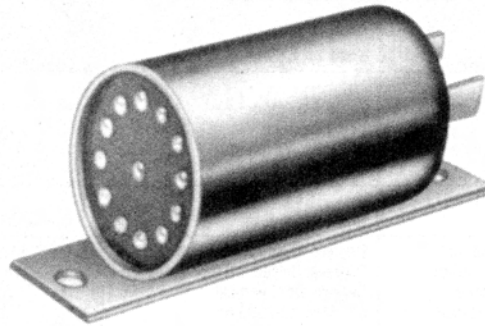
- 40 contact points
- Contacts rated 1.5A at 120 VAC
- Standard/stock AC voltage 120
- Weight 17 oz. (431.8 grams)



Coil Voltage	OHMS Stepping Coil	No. of Points	No. of Active Points	Max Steps Per Sec.	PART NUMBERS
120VAC	102	40	40	20	PC-40-120A

## 705

- 12 contact points
- Contacts rated 3 amps at 120 VAC
- Standard/stock DC voltages 12 & 24
- Weight 5 oz. (127 grams)

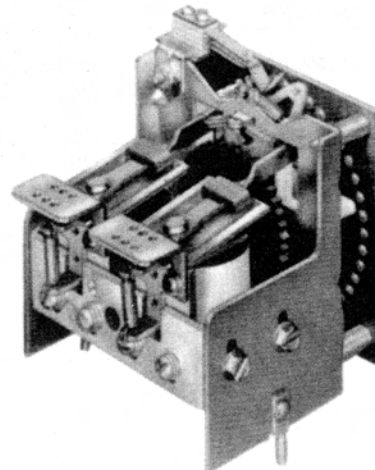


Coil Voltage	Coil Res. $\Omega$	No. of Points	PART NUMBERS
12VDC	16	12	705-12P-12D
24VDC	24	12	705-12P-24D

# ADD and SUBTRACT

## PAS

- Wiper moves either direction depending on which coil is energized
- 40 contact points
- Contacts rated 1.5 amps at 120 VAC
- Standard/stock AC voltage 120
- Weight 22 oz. (431.8 grams)



Coil Voltage	OHMS Stepping Coil	No. of Points	No. of Active Points	Max Steps Per Sec.	PART NUMBERS
120VAC	70	40	40	20	PAS-120A