

Graphic Modules

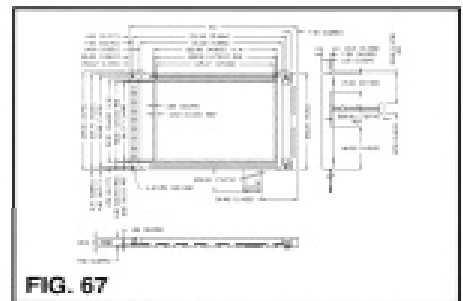
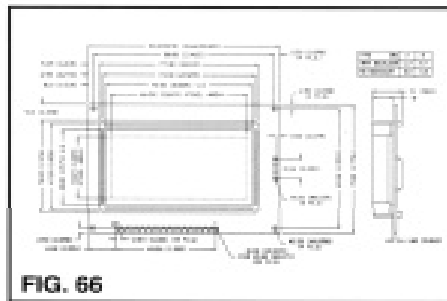
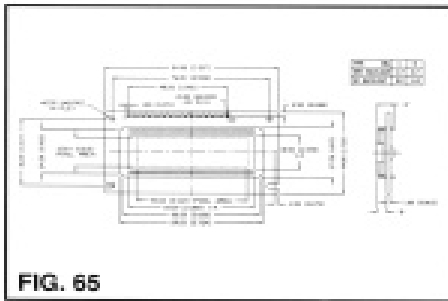
Standard Operating Temp 0~50°C
Standard Storage Temp -20~70°C

Includes LED Backlight
Driving Method is STN Transflective

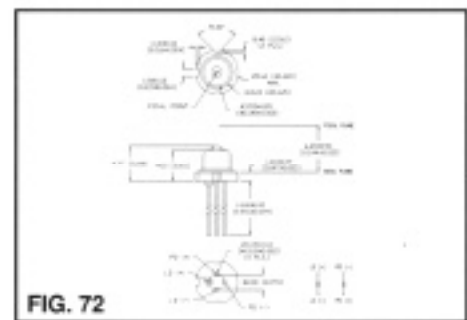
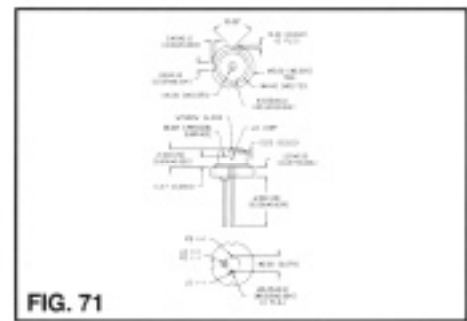
View Angle is 6:00

Lumex Part Number	Overall Size w/Backlight	Viewing Area	Character Size	Pixel Size	Fig.
LCM-S12232GGSF	84.00 x 44.00 x 12.70	60.50 x 18.50	122 x 32	0.40 x 0.45	65
LCM-S12864GGSF	93.00 x 70.00 x 12.70	72.00 x 40.00	128 x 64	0.48 x 0.48	66
LCM-S320240GWF/B-C*	167.10 x 109.00 x 10.10	122.00 x 92.00	320 x 240	0.33 x 0.33	67

*Fluid Type is PSTN Transflective



Lumex Part Number	Output Power (mW)	Wavelength (Typ λnm)	Current Ith Iop	Operating Voltage (V)	Reverse VRLD VRPD	Fig.
Emitters						
OED-LDP65001E	5	650	20 35	2.2	2 30	71
OED-LDH65002E	20	650	25 50	2.2	2 30	71
OED-LDC13001EB	10	1310	12 —	1.2	2 15	72
OED-LDC15001EB	5	1550	8 —	1.2	2 10	72



Lumex Part Number	Reverse Voltage	Forward Current	Active Area Dia	Detection Range (Typ)	Responsivity	Cutoff Frequency	Rise /Fall Time	Fig.
Detectors								
OED-PPD11075G-B	25(V)	2(mA)	75(μm)	1310(nm)	0.90(A/W)	2.0(GHz)	0.2(ns)	73

