

## R-Series

## Rocker Switches



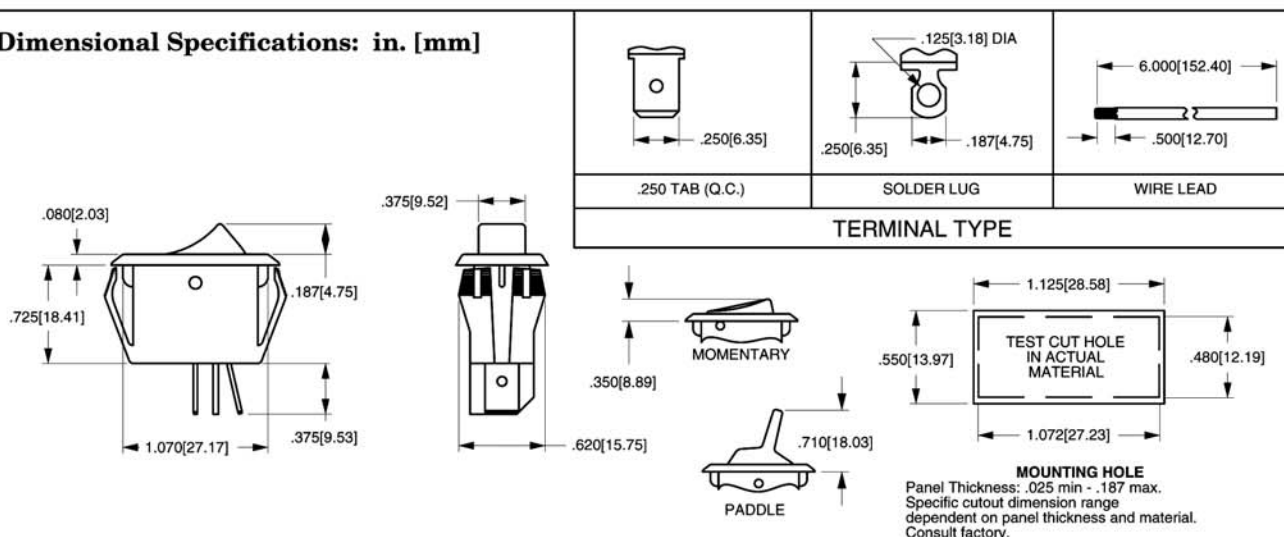
The R-Series Curvette single pole miniature snap-in rocker switches are available with momentary, rocker, paddle & Visi-Rocker type actuators. These aesthetically pleasing switches are compatible with a range of standard panel cutouts. Electrical ratings, with international approvals, are available up to 16 amps.

### Specifications

- Certifications\*: UL, CSA, VDE, TUV, SEMKO, DEMKO, NEMKO, FIMKO, SEV and BEAB
- Dielectric Strength: 1,000 V (minimum)
- Insulation Resistance: 100 Megohms (minimum)
- Base Material: Nylon
- Actuator Material: Polyester or Nylon

\* Due to ongoing technological advances, consult factory for certification specifics.

### Dimensional Specifications: in. [mm]



SERIES	RATING <sup>1</sup>	TERMINATION	BASE COLOR <sup>2</sup>	COLOR OF MOLDED-IN LEGEND AND/OR VISI-ROCKER END <sup>2</sup>
<b>R</b> SINGLE POLE	<b>20</b> 10A 250VAC 16A 125VAC 3/4HP 125-250VAC	<b>0</b> SOLDER LUG <b>1</b> .250TAB (QC) <b>5</b> WIRE LEAD	<b>B</b> BLACK <b>W</b> WHITE	<b>N</b> NOT APPLICABLE <b>B</b> BLACK <b>V</b> VISI-RED <b>W</b> WHITE
<b>CIRCUIT</b>	<b>21</b> 10A 250 VAC 16A 125VAC	<b>ACTUATOR STYLE</b>	<b>ROCKER FACE LEGEND</b>	<b>INK TRANSFER STAMP<sup>4</sup></b>
<b>A</b> OFF-NONE-ON <b>B</b> ON-NONE-ON <b>C</b> ON-OFF-ON Available w/ratings 21, 23, 58, & 91 only	<b>22</b> 8A 250VAC 12A 125VAC 1/2HP 125-250VAC	<b>M</b> MOMENTARY <b>R</b> ROCKER <b>P</b> PADDLE <b>V</b> TWO COLOR <b>VI</b> VISI-ROCKER	<b>0</b> NO LEGEND <b>1</b> OFF-ON (VERTICAL) <b>2</b> OFF-ON (HORIZONTAL) <b>8</b> O-I (HORIZONTAL) <b>9</b> O-I (VERTICAL) ON-OFF (VERTICAL) ON-OFF (HORIZONTAL) DUAL LEGEND: OFF O-I ON (VERTICAL)	<b>0</b> <b>A</b> <b>B</b> <b>D</b> <b>E</b> <b>F</b> <b>G</b> <b>H</b>
<b>D</b> OFF-NONE-(ON) Available w/rating 22 only	<b>23</b> 10A 250VAC 16A 125VAC 1/2HP 125-250VAC	<b>ACTUATOR COLOR<sup>2</sup></b>		
<b>AD</b> OFF-NONE-ON Double Insulation	<b>58</b> 5A 277VAC 10A 125VAC 10A 30V 8A 14VT	<b>B</b> BLACK <b>W</b> WHITE		
<b>BD</b> ON-NONE-ON Double Insulation	<b>90</b> 10A 250VAC 16A 125VAC 3/4HP 125-250VAC			
<b>CD</b> ON-OFF-ON Double Insulation Available w/ratings 21 and 58 only	<b>91</b> 10A 250VAC 16A 125VAC 10(4)A 250VAC $\mu$ T85			

#### NOTES:

Shading indicates standard configurations.

Panel Cut-Out Recommendations: For sheet metal panels, switch must enter panel in same direction as the punch. (Burr on bottom.) Test cut hole in actual material.

1 Additional ratings are available. Consult factory.

Rating 22 must use circuit D only and momentary rocker.

2 Matte finish is standard. Custom colors are available. Consult factory.

3 Molded-in Legend available only with Visi-Rocker option.

4 White is standard with dark actuators; black is standard with light actuators.