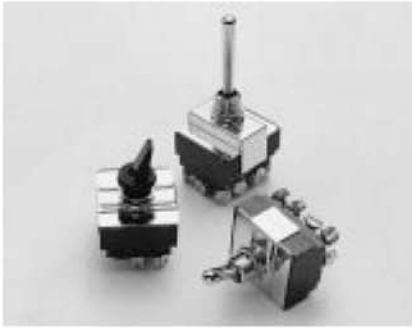


## I-Series

## Toggle Switches



The I-Series toggle switches are heavy-duty, four pole switches with a slow-make, slow-break contact mechanism. These switches are available in a wide range of terminations, circuits and bushing/toggle configurations.

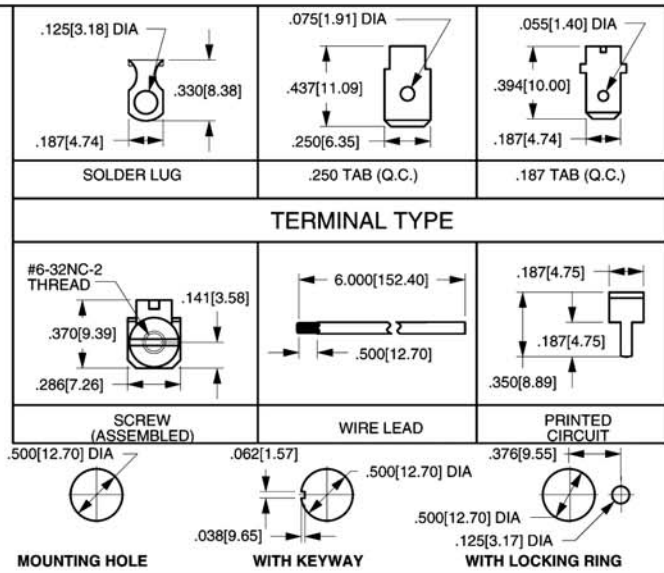
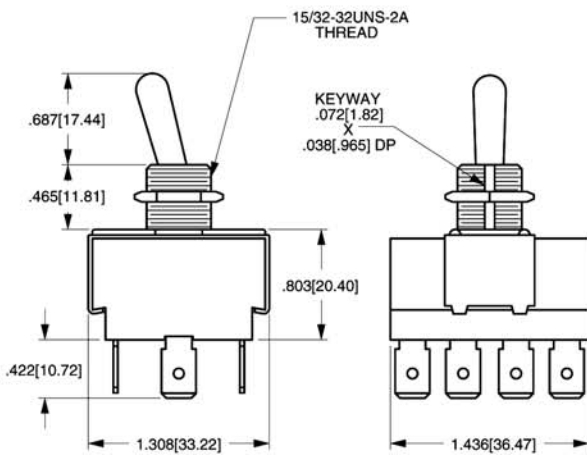
### Specifications

- Certifications\*: UL, CSA
- Dielectric Strength: 1,000V (minimum)
- Insulation Resistance: 100 Megohms (minimum)
- Base Material: Phenolic
- Actuator Material: Brass/Nickel Plate or Polycarbonate
- Bushing Material: Brass/Nickel Plate

\* Due to ongoing technological advances, consult factory for certification specifics.

2 SWITCHES & KNOBS

### Dimensional Specifications: in. [mm]



SERIES	RATING	TERMINATION/FUNCTION	TOGGLE STYLE <sup>2</sup>					
<b>I</b>	<b>25</b>	<b>1</b>	<b>.250</b>	<b>.187</b>	<b>SCREW</b>	<b>WIRE</b>	<b>PC</b>	
<b>I</b> FOUR POLE TOGGLE	25 10A 250VAC 15A 125VAC 3/4HP 125-250VAC 1, 2 OR 3 PHASE	FUNCTION ON-NONE-OFF (ON)-NONE-OFF ON-NONE-(OFF) ON-NONE-ON ON-NONE-(ON) ON-OFF-ON ON-OFF-(ON) (ON)-OFF-(ON)	SOLDER LUG 0 A L 0 A 0 A L	TAB (QC) 1 B M 1 B 1 B M	TAB (QC) 3 D R 3 D 3 D R	TERM. 4 E S 4 E 4 E S	LEAD 5 F T 5 F 5 F T	TERM. 6 G U 6 G 6 G U

NOTES:  
 Shading indicates standard configurations.  
 For bushing accessories, see pages 69 and 70.  
 1 Consult factory for additional circuits.  
 2 NBL toggle uses black oxide plated metal bushing for standard construction. NWH toggle uses nickel plated metal bushing for standard construction.  
 Momentary functions are available with only 63, 73 or 78 toggles.

	TOGGLE LENGTH	BUSHING LENGTH	SUFFIX NO.	NEOPRENE SEAL
BAT	.406	.343	52	57
	.562	.465	63	68
	.687	.465	73	78
	1.00	.343	A2	A7
	1.25	.465	B3	B8
NYLON	.687	.465	NBL3	NBL8
	.687	.465	NWH3	NWH8