

## P26-Series

## Pushbutton Switches



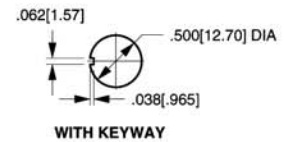
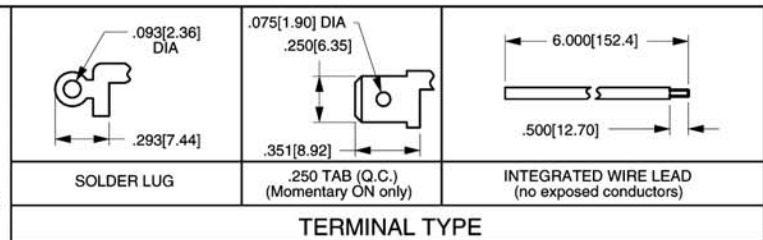
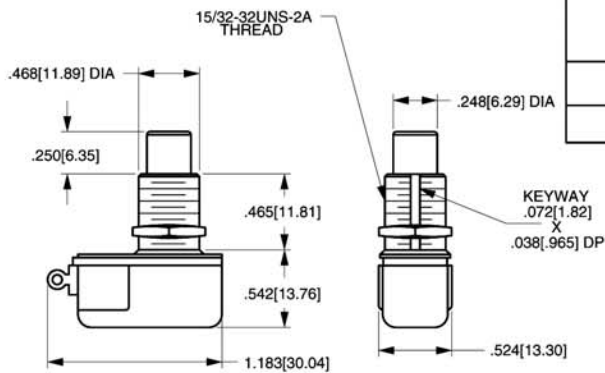
The P26-Series pushbutton switches are single pole, AC rated for 8 amps at 125 VAC and suitable for shallow back panel applications. These switches are momentary action with a medium actuation force (13 oz. typical). The P26-Series switch is equipped with a slow-make, slow-break contact mechanism.

### Specifications

- Certifications\*: UL, CSA
- Dielectric Strength: 1,000V (minimum)
- Insulation Resistance: 100 Megohms (minimum)
- Base Material: Phenolic
- Actuator Material: Nylon or Brass
- Bushing Material: Brass/Nickel Plate

\* Due to ongoing technological advances, consult factory for certification specifics.

### Dimensional Specifications: in. [mm]



<b>P</b>	<b>26</b>	<b>L</b>	<b>-</b>	<b>1D</b>	<b>-</b>	<b>BL</b>
SERIES	RATING	TERMINATION/ FUNCTION		BUSHING <sup>1</sup>		BUTTON COLOR/STYLE <sup>2</sup>
P SINGLE POLE PUSHBUTTON	26 3A 250VAC 6A 125VAC 3/4A 125V 28 4A 250VAC 8A 125VAC 1A 125V 265 3A 250VAC 6A 125VAC 3/4A 125V 5A 12V 267 3A 277VAC 6A 125VAC	A SOLDER LUG OFF-(ON) B .250TAB (QC) OFF-(ON) F WIRE LEAD OFF-(ON) L SOLDER LUG ON-(OFF) T WIRE LEAD ON-(OFF)		1A .406 1B .406 1C .465 1D .465	LENGTH DIAMETER	BL BLACK NYLON RD RED NYLON RND MTL ROUND METAL CON MTL CONCAVE METAL

NOTES:

Shading indicates standard configurations.

- For panel mounting to assure equal button heights, use bushing 1A or 1B for Momentary ON and 1C or 1D for Momentary OFF.
- Round metal and concave metal buttons are only available with 1D bushing, which will be .562 in length.

