

P27-Series



The P27-Series pushbutton switches are single pole, AC/DC rated switches suitable for shallow back panel applications. These switches are momentary action with a medium actuation force (26 oz. typical). The P27-Series switch is equipped with a slow-make, slow-break contact mechanism, rated at 6 amps with a nylon concave pushbutton.

Pushbutton Switches

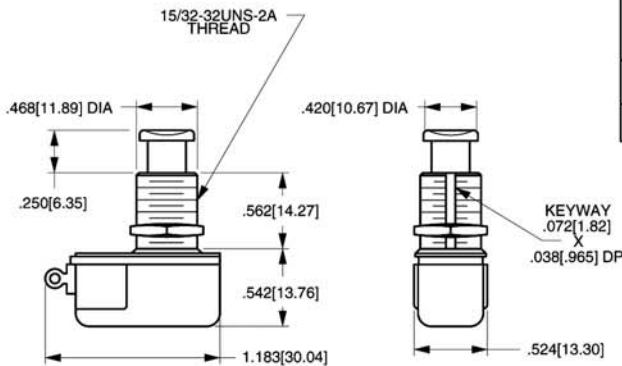
Specifications

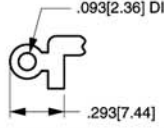
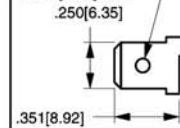
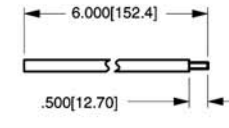
- Certifications*: UL, CSA
- Dielectric Strength: 1,000 V (minimum)
- Insulation Resistance: 100 Megohms (minimum)
- Base Material: Phenolic
- Actuator Material: Nylon
- Bushing Material: Brass/Nickel Plate

* Due to ongoing technological advances, consult factory for certification specifics.

2 SWITCHES & KNOBS

Dimensional Specifications: in. [mm]



| | | |
|---|--|--|
|  SOLDER LUG |  .250 TAB (Q.C.) (Momentary ON only) |  INTEGRATED WIRE LEAD (no exposed conductors) |
| TERMINAL TYPE | | |



P
SERIES
P SINGLE POLE
PUSHBUTTON
MOMENTARY

27
RATING
27 3A 250VAC
6A 125VAC
3/4A 125V

A -
TERMINATION/
FUNCTION¹
A SOLDER LUG
OFF-(ON)
B .250TAB (QC)
OFF-(ON)
F WIRE LEAD
OFF-(ON)
L SOLDER LUG
ON-(OFF)
T WIRE LEAD
ON-(OFF)

BL
CONCAVE BUTTON
BL BLACK NYLON
RD RED NYLON
WH WHITE NYLON

NOTES:
Shading indicates standard configurations.
1 Momentary OFF functions (L and T) available only with 3/4A 125V.