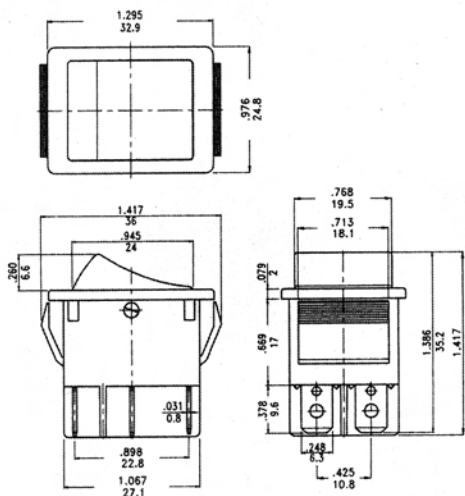
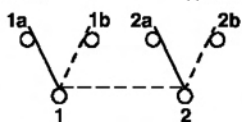


DPDT



Circuit Code	POS 1	POS 2	POS 3
A	ON	NONE	OFF
B	ON	NONE	OFF Illum.
C	ON	NONE	ON
D	ON	OFF	ON
Term. Comm.	1-1a, 2-2a	OPEN	1-1b, 2-2b

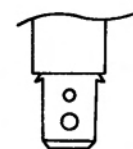
Schematic () = Momentary



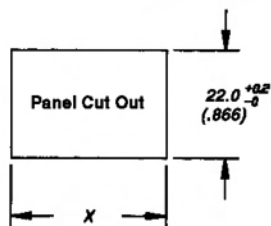
PANEL MOUNTING

TERMINATION OPTIONS

F Faston



0.81 (.032) THK terminals designed for Quick Connect connectors available from AMP/Industries, Harrisburg, PA 17105. (Or equivalent).



Panel Thickness	'X' Dim.
.75 - 1.25 (.030)-(.049)	30.0 (1.18)
1.25 - 2.00 (.049)-(.079)	30.2 (1.19)
2.00 - 3.00 (.079)-(.118)	30.6 (1.20)

MARKING OPTIONS



SPECIFICATIONS SUBJECT TO CHANGE WITHOUT NOTICE.