

**SPST**



Circuit Code	POS 1	POS 2
A	ON	OFF
B	ON	(OFF) Illum.
F	(ON)	OFF
Term. Comm.	1-1a	OPEN

Non-Illuminated Schematic

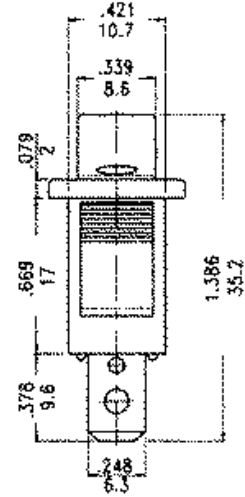
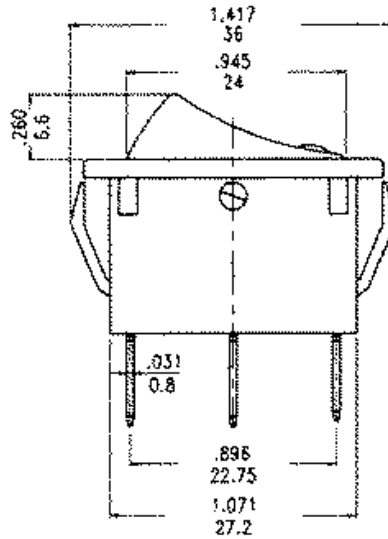
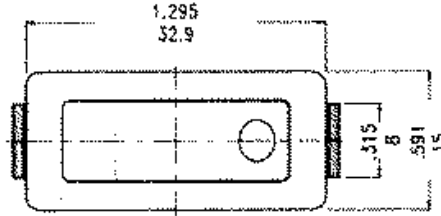
( ) = Momentary



Illuminated Schematic (Circuit Code 'B')



**SERIES R4**



**SPDT**



Circuit Code	POS 1	POS 2	POS 3
C	ON	NONE	ON
D	ON	OFF	ON
E	ON	NONE	(ON)
G	(ON)	OFF	(ON)
H	ON	NONE	(OFF)
I	ON	OFF	(ON)
Term. Comm.	1-1a	OPEN	1-1b

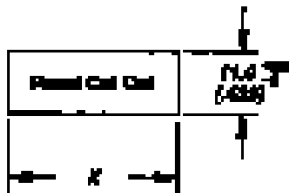
Schematic

( ) = Momentary



NOTE: Illumination not available for SPDT versions.

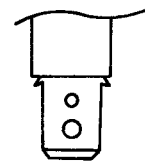
**PANEL MOUNTING**



Panel Thickness	'X' Dim.
.75 - 1.25 (.030)-(.049)	30.0 (1.18)
1.25 - 2.00 (.049)-(.079)	30.2 (1.19)
2.00 - 3.00 (.079)-(.118)	30.6 (1.20)

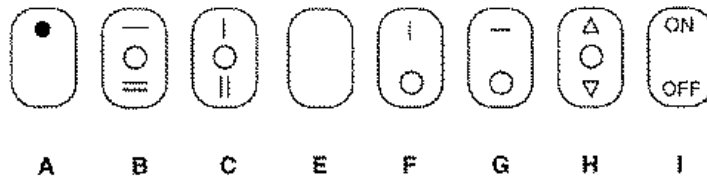
**TERMINATION OPTIONS**

**F Faston**



0.81 (.032) THK terminals designed for Quick Connect connectors available from AMP Industries, Harrisburg, PA 17105. (Or equivalent).

**MARKING OPTIONS**



SPECIFICATIONS SUBJECT TO CHANGE WITHOUT NOTICE.