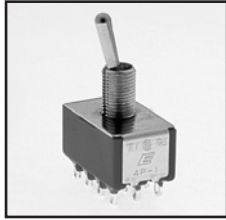
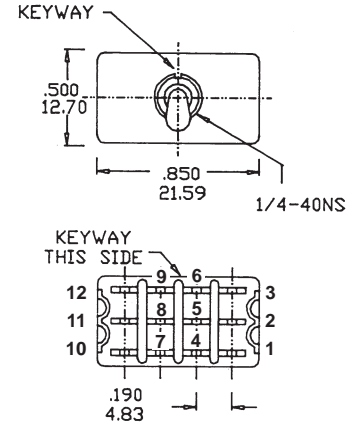
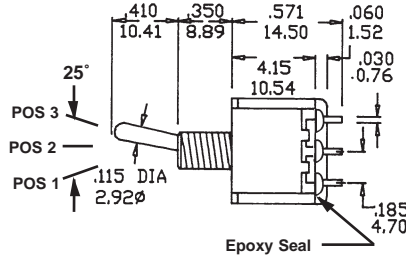


4PDT

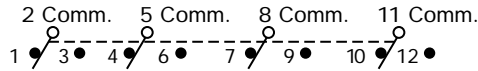


Model No.	POS 1	POS 2	POS 3
4P-1	ON	NONE	ON
4P-2	ON	NONE	(ON)
4P-3	ON	OFF	ON
4P-4	(ON)	OFF	(ON)
4P-5	ON	OFF	(ON)
Term. Comm.	2-3, 5-6 8-9 11-12	OPEN	2-1, 5-4 8-7 11-10



Schematic

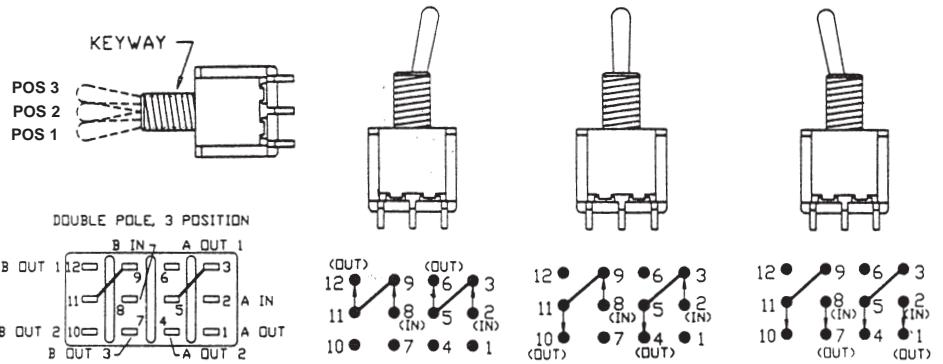
() = Momentary



3-WAY SWITCHES

3-WAY WIRING DIAGRAM SCHEMATICS

Model No.	POS 1	POS 2	POS 3
4P-6	ON	ON	ON
Term. Comm.	2-3, 5-6 8-9, 11-12	2-3, 5-4 8-9, 11-10	2-1, 5-4 8-7, 11-10



ACTUATOR OPTIONS

<p>T1 STD</p>	<p>T2</p>	<p>T3</p>	<p>T4</p>	<p>T5</p> <p>B3/B4 bushing std</p>
<p>T6 FLATTED WITH BUILT IN ANTIROTATION</p> <p>Use with B11, B12, B15, B16 only</p>	<p>T7</p> <p>15/32-32NS KEYWAY</p> <p>Use with B13 bushing</p>	<p>T8</p> <p>15/32-32NS KEYWAY</p> <p>Use with B13 bushing</p>	<p>T9 PLASTIC BLACK</p> <p>Gloss Finish Plastic Chrome</p> <p>B3/B4 bushing std</p>	

NOTE * Add .070 (1.78) for B3, B4 bushings, subtract .020 (0.51) for B6 bushing.

SPECIFICATIONS SUBJECT TO CHANGE WITHOUT NOTICE.