

A SERIES Ø 21/64" (8MM) AND AP SERIES

A SERIES - MINIATURE

Features

- Extremely compact mounting size Ø 21/64" (8mm)
- Super bright LED illumination
- Low level switching down to 1 mA AC/DC, 5V
- Dust tight (IP40) construction
- SPDT contact configuration
- Momentary action (maintained also available)
- UL Recognized, CSA Certified

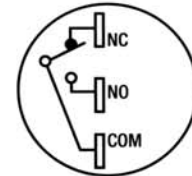
Operating Voltage and External Current Limiting Resistor*

5V DC: 150Ω, 1/2W, 6V DC: 200Ω, 1/2W, 12V DC: 510Ω, 3/4W, 24V DC: 1.1kΩ, 3/4W * Due to small unit size, an external current limiting resistor is needed.

Contact Ratings and Specifications

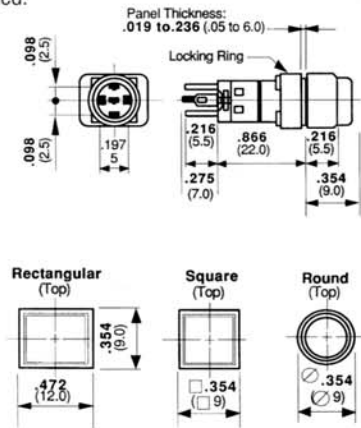
Contact Configuration: SPDT
Contact Ratings: 3A, 250V AC/DC
Contact Material: Gold-clad silver
Contact Resistance: 50 mΩ maximum (initial value)
Insulation Resistance: 100 MΩ minimum
Dielectric Strength: 2000V AC, 1 minute
Mechanical Life: 200,000 operations minimum
Degrees of Protection: IP40
Termination: Solder Tabs

Terminal Arrangements



SPDT Contact (Single-Pole/Double Throw)

Dimensions



Miniature Pushbuttons (SPDT Contacts) and Pilot Lights

Shape	Pushbuttons		Pilot Lights
	Illuminated	Non-illuminated	LED
Round	AL8M-M11-*	AB8M-M1-**	AL8M-P1-*
Square	AL8Q-M11-*	AB8Q-M1-**	AL8Q-P1-*
Rectangular	AL8H-M11-*	AB8H-M1-**	AL8H-P1-*

Color Specifications

- | | |
|---------------|------------------|
| * Lens | ** Button |
| A = amber | B = black |
| G = green | G = green |
| R = red | R = red |
| W = white | S = blue |
| Y = yellow | W = white |
| | Y = yellow |

AP SERIES - MINIATURE LED PILOT LIGHTS

Features

- Long life with minimum maintenance
- Four sizes available: Ø 21/64" (8mm), Ø 13/32" (10mm), Ø 31/64" (12mm), Ø 5/8" (16mm)
- Built-in current limiting resistor
- Built-in diode protection to withstand a 200V reverse voltage
- 120V and 240V AC adaptors and 110V DC-DC converter units also available
- UL Listed and CSA Pending

Contact Ratings and Specifications

Input: Full voltage
Operating Voltage: 6V, 12V, 24V DC
Current Rating: 24V DC -12 mA (AP8/AP1), 11 mA (AP2/AP6), 12V DC - 22 mA (AP2 series), 6V DC -18 mA (AP8/AP1), 33 mA (AP2/AP6)
Operating Temperature: -20°C to +50°C
Insulation Resistance: 100 MΩ minimum, (500V DC megger) between live & dead parts
Reverse Withstanding Voltage: AP8/AP6/AP1: 200V, AP2: 100V
Degrees of Protection: IP65 (AP8: IP40)
Termination: Solder Tab

Pilot Lights

Style	Pilot Light		Style	Pilot Light	
	Voltage - DC	Part Number		Part Number	Part Number
Dome	6V	AP * M266-**	Flat	AP * M166-**	
	12V	- * M211-**		- * M111-**	
	24V	- * M222-**		- * M122-**	

*AP6 AC Adapter & DC-DC Converter Units

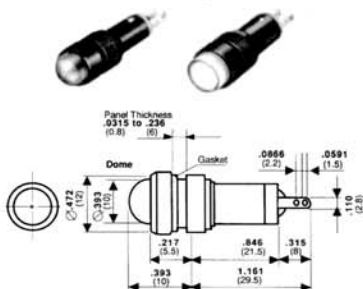
Unit	Voltage	Part Number
AC Adapter	110/120V AC	AP6-0126D
	220/240V AC	-0246D
DC-DC Converter	110V DC (90 to 140V DC)	AP6-016DD

Specifications

- | | |
|---------------------|----------------|
| * Size | ** Lens |
| 1 = Ø 13/32" (10mm) | A = amber |
| 2 = Ø 31/64" (12mm) | G = green |
| 6 = Ø 5/8" (16mm) | R = red |
| 8 = Ø 21/64" (8mm) | W = white |
| | Y = yellow |

* AP6 Series - 6 volt units only

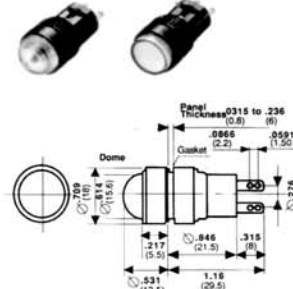
AP1 Series - Ø 13/32"



AP2 Series - Ø 31/64"



AP6 Series - Ø 5/8"



AP8 Series - Ø 21/64"

