

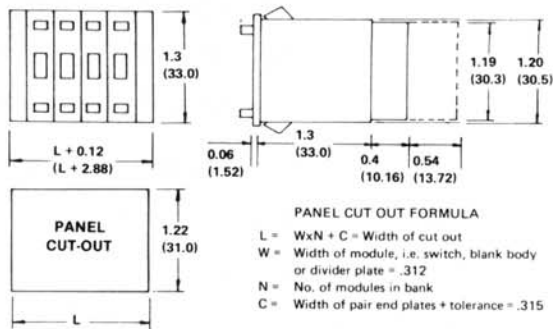


MODEL II IMLEC INDEXER PUSHBUTTON FRONT MOUNT

The Imlec Indexer is a bi-directional push indexing front mount switch, 5/16" in width. Identical in size to our popular MF switches. With snap together banking and snap-in panel mounting. Pushbuttons above and below the legend allow the user to add or subtract from the count.

These 10 or 16-position switches are available in all popular codes. Options and accessories include: Extended Boards for diode suppression, Termination Pins, Stopping, Blank Bodies, End Plates, and Connectors.

DIMENSIONS IN INCHES (IN MILLIMETERS)

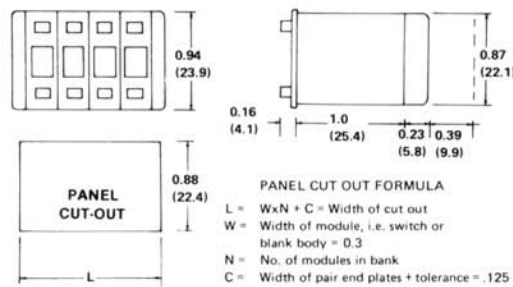


MODEL MI MINI INDEXER PUSHBUTTON FRONT MOUNT

The Mini Indexer is a bi-directional push indexing front mount switch, 0.30" in width. Similar to our Imlec Indexer but smaller in size. Features snap together banking and snap-in panel mounting. Pushbuttons above and below the legend allow the user to add or subtract from the count.

Available in most popular 10-position codes. Options and accessories include: Extended Boards for diode suppression, Termination Pins, Stopping, Blank Bodies, End Plates and Internal LED Lighting.

DIMENSIONS IN INCHES (IN MILLIMETERS)

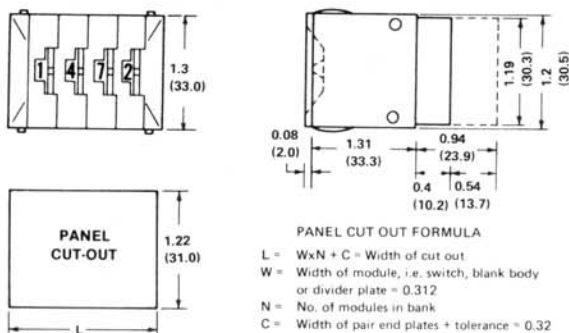


MODEL MF MINIATURE FRONT MOUNT

The MF is our most popular, low cost, 5/16" wide Thumbwheel Switch. Slim, attractive, snap-in panel mounting requires no panel mounting hardware.

Available in all popular 10 and 16 position codes. Matte black finish on high impact moldings, with white legend on black wheel standard. Options and accessories include: Extended Boards for diode suppression, Termination Pins, Blank Bodies, Divider Plates, Connectors, etc. Gray bodies, gloss finish, other wheel colors and legends available.

DIMENSIONS IN INCHES (IN MILLIMETERS)



MODEL TR THIN REAR MOUNT

For applications that require a lot of switch in a small space, these 5/16" wide TR switches are ideal. Rear mount counterpart to our popular MF front mount switches.

Available in most 10-position codes including Decimal, BCD, BCD plus Complement, and Complement only. Options and accessories include: Extended Boards for diode suppression, Termination Pins, Blank Bodies, Divider Plates, Connectors, etc.

DIMENSIONS IN INCHES (IN MILLIMETERS)

