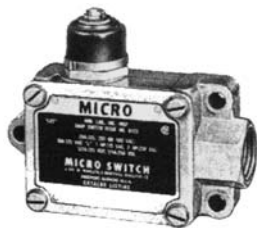


## Enclosed Switches High Capacity

## BAF1 Series



### GENERAL INFORMATION

The elastomer boot on sealed actuator versions and cover seal on all switches protect the actuating mechanism and the internal basic switch from contaminants. The cover plate is removed for ease of wiring and basic switch replacement, without demounting the switch. There is a seal gasket between the cover plate and the enclosure. The actuator position is designated "right" or "left", when looking at the nameplate.

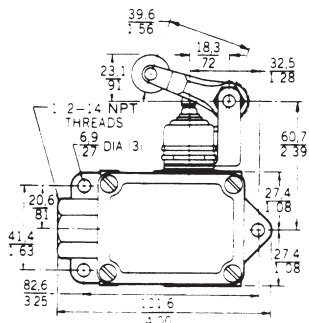
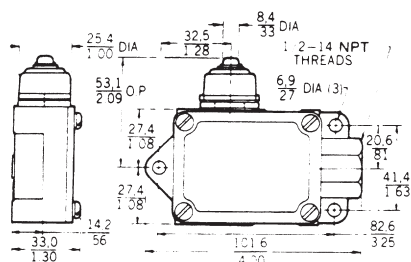
### FEATURES

- Up to 20 ampere capacity SPDT
  - Cast aluminum housing with 3-hole mounting
  - Right or left-hand (sealed or unsealed) actuators
  - Cover seal, captive cover screws
  - Momentary or maintained contact
  - UL Recognized, File E12252 and CSA certified, File # LR41372
  - Grounding screw
  - Complies with NEMA 1, 3\*, 4\*, and 13\*
- (\* Except BAF-1-2RQ9 listings)

### TYPICAL DIMENSIONS

(For reference only)

#### Left-hand



### PLUNGER ACTUATED SWITCHES ORDER GUIDE

Description	Electrical Data and UL Code	Actuator Position †	Catalog Listing	O.P. mm in.	O.F. max. N lbs.	P.T. max. mm in.	O.T. min. mm in.	D.T. max. mm in.
With seal boot.	20A L23	Right	<b>BAF1-2RN-RH</b>	53,19 ± 0,76	11,2	2,39	5,56	0,26
		Left	<b>BAF1-2RN-LH</b>	2,094 ± .030	2,5	.094	.219	.010
Without seal boot. Field adjustable roller 360°	20A L23	Right	<b>BAF1-2RQ9-RH</b>	64,69	11,1	2,39	3,96	0,25
		Left	<b>BAF1-2RQ9-LH</b>	2,547	2,5	.094	.156	.010

### ROLLER LEVER ACTUATED SWITCHES ORDER GUIDE

Description	Electrical Data and UL Code	Actuator Position †	Catalog Listing	O.F. max. N lbs.	P.T. max. mm in.	O.T. min. mm in.	D.T. max. mm in.
With seal boot. Field adjustable 360° horizontally and 225° vertically	20A L23	Right	<b>BAF1-2RN2-RH</b>	8,90	5,56	6,35	0,51
		Left	<b>BAF1-2RN2-LH</b>	2	.219	.250	.020

### FLEXIBLE ROD ACTUATED SWITCHES ORDER GUIDE

Description	Electrical Data and UL Code	Actuator Position †	Catalog Listing	P.T. max.
With seal boot. Operates from any direction, except direct pull.	20A L23	Right	<b>BAF1-2RN18-RH</b>	15°
		Left	<b>BAF1-2RN18-LH</b>	

### MAINTAINED CONTACT (RESET) PLUNGER ACTUATED SWITCH ORDER GUIDE

Description	Electrical Data and UL Code	Actuator Position †	Catalog Listing	O.F. max. N lbs.	P.T. max. mm in.	O.T. min. mm in.
With seal boot on both top and bottom (reset) plungers.	20A L23	Right	<b>BAF1-3RNX1</b>	7,79 1,75	2,39 .094	4,45 .219

N = Newtons  
† When looking at nameplate.