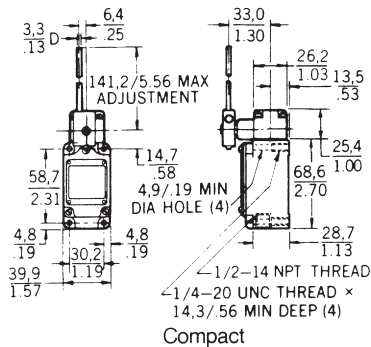


## Limit Switches Compact

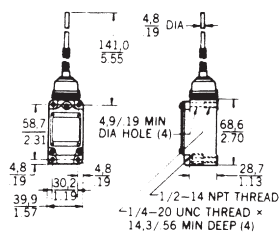
## LS/200LS Series

### TYPICAL DIMENSIONS (For reference only)

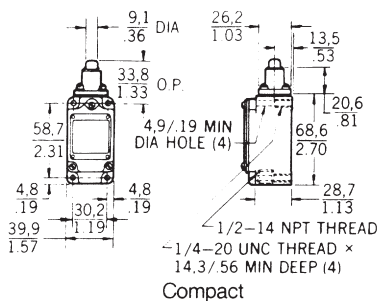
#### ADJ. LENGTH ROD



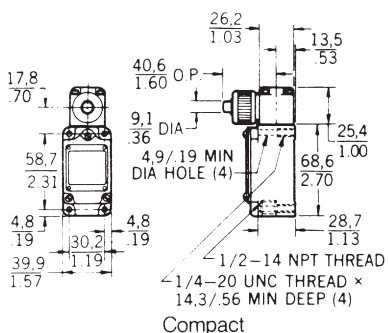
#### COMBINATION SPRING ROD



#### TOP PLUNGER



#### SIDE PLUNGER



### ADJUSTABLE LENGTH ROLLER LEVER ROTARY ACTUATED SWITCHES ORDER GUIDE

Length adjustable 1.2 to 3.5 in. (30,6 to 88,9 mm)  
Momentary action. Nylon rollers.

Description	Electrical Rating	Catalog Listing		O.F. max.	P.T. max.	O.T. min.	D.T. max.
		Compact	Plug-in				
Standard pretravel 20°	A	1LS3	201LS3*	13,3 N 3 lb.	20°	30°	12°

### LOW FORCE ROD ROTARY ACTUATED SWITCHES ORDER GUIDE

Momentary action. 5-inch (127 mm) aluminum rod.

Description	Electrical Rating	Catalog Listing		O.F. max.	P.T. max.	O.T. min.	D.T. max.
		Compact	Plug-in				
Standard pretravel 20°	A	1LS10	201LS10*	13,9 N 5 lb.	20°	30°	12°
Low pretravel 5° and lower operating force	B	1LS53	201LS51*	0,83 N 3 oz.	5°	30°	4°

### WOBBLE LEVER ACTUATED SWITCHES ORDER GUIDE

Momentary action.

Description	Electrical Rating	Catalog Listing		O.F. max.	P.T. max.
		Compact	Plug-in		
Flexible cable actuator	D	8LS1	208LS1*	1,39 N 5 oz.	28,6 mm 1.125"
Combination spring-rod	D	8LS3	208LS3*	1,39 N 5 oz.	28,6 mm 1.125"
Low force steel wire	D	8LS125	208LS125*	0,28 N 1 oz.	63,5 mm 2.5"

\* Require Terminal Block (18PA1 for 200LS Switches) which must be ordered separately. Unless damaged, it is not necessary to replace terminal block when replacing switch.  
N = Newton

### TOP PLUNGER ACTUATED SWITCHES ORDER GUIDE

Momentary action.

Description	Electrical Rating	Catalog Listing	O.F. max. N lb.	P.T. max. mm in.	O.T. min. mm in.	D.T. max. mm in.
Standard top plunger	A	2LS1	31,1 7	1,65 .065	6,35 .250	0,51 .020
Standard top roller plunger — Steel roller	A	5LS1	31,1 7	1,65 .065	5,56 .219	0,51 .020

### SIDE PLUNGER ACTUATED SWITCHES ORDER GUIDE

Momentary action. Assembled with plunger facing front (label side).

Description	Elec. Rating	Catalog Listing	O.F. max. N lb.	P.T. max. mm in.	O.T. min. mm in.	D.T. max. mm in.
Standard side plunger	A	4LS1	40 9	2,77 .109	6,35 .250	1,02 .040
Standard side roller plunger — Steel roller	A	3LS1	40 9	2,77 .109	5,56 .219	1,02 .040