

D4A-N

General Purpose Limit Switch

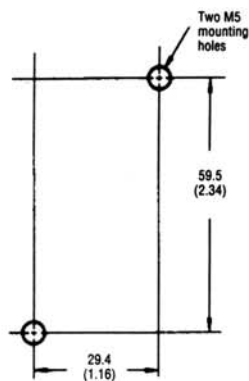
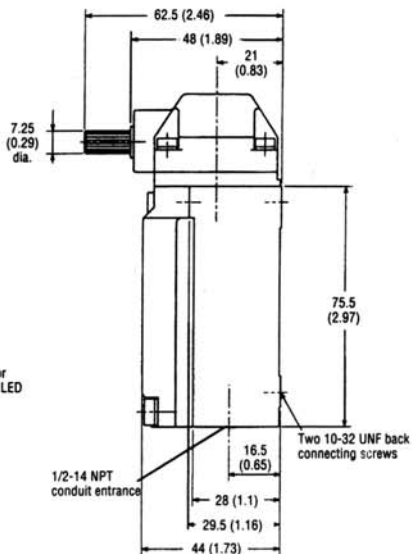
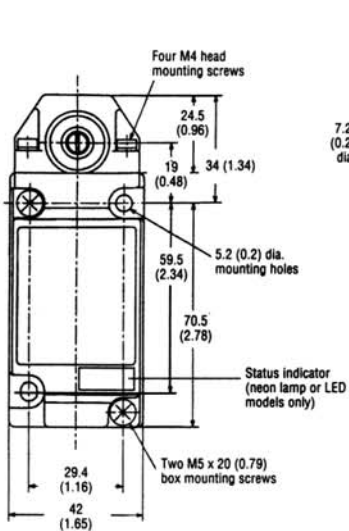
Dimensions [Unit: mm (inch)]

Side Rotary Switches

D4A-1101N dim A

D4A-1101 dim B

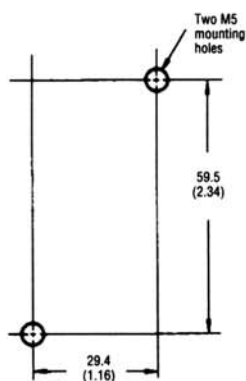
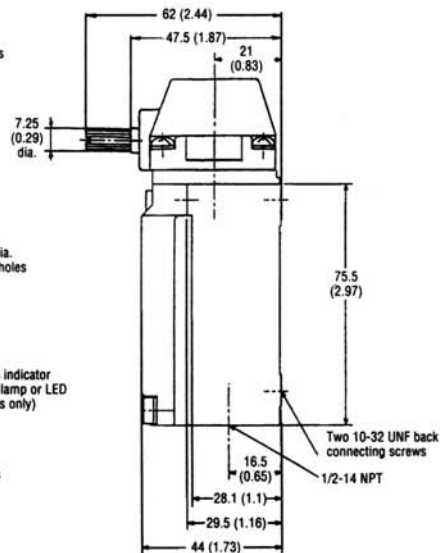
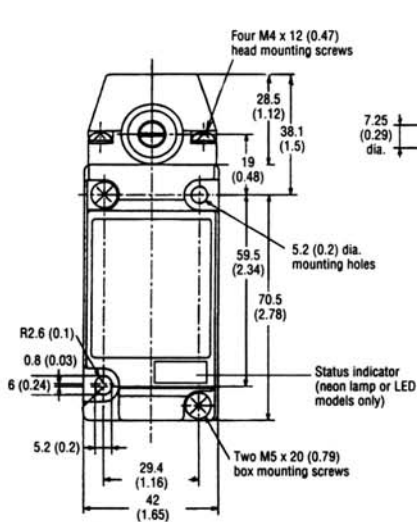
D4A Mounting holes



D4A-1105N dim A

D4A-1105N dim B

D4A Mounting holes



Approved by Standards

UL Recognized, File No. E76675
CSA Certified, File No. LR45746

2

S
W
I
T
C
H
E
S
&
K
N
O
B