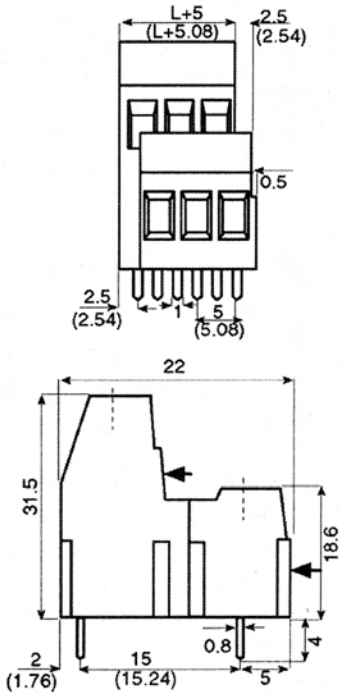
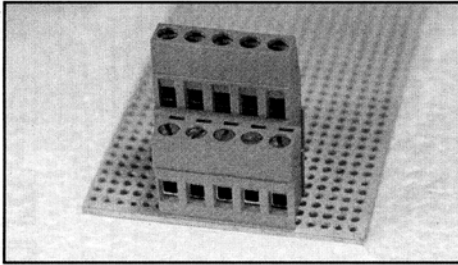


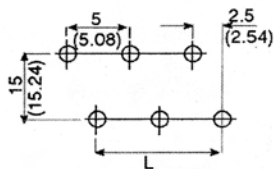
PSQ (PEQ) D Series

24A 300V

5 and 5.08mm



PCB Layout



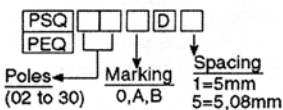
Dimensions

n=number of poles

$L=(n-1) \times 5$ (for 5mm spacing)

$L=(n-1) \times 5.08$ (for 5.08mm spacing)

Ordering Information

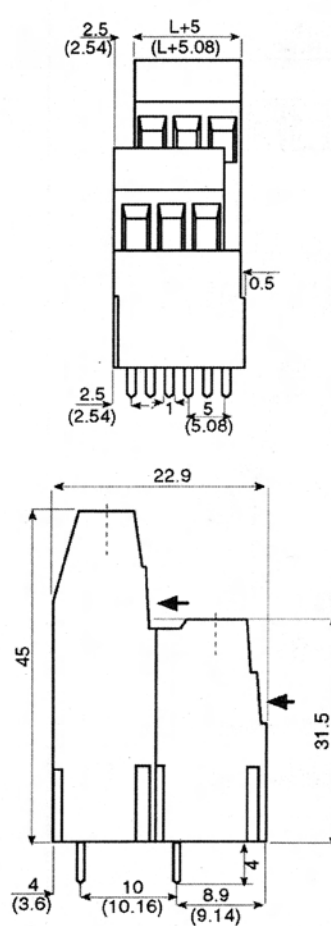
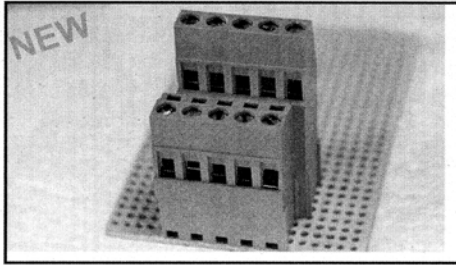


Also available in 10mm and 10.16mm centers.

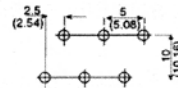
PSQ (PEQ) K Series

24A 300V

5 and 5.08mm



PCB Layout



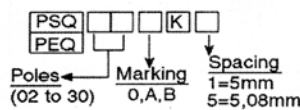
Dimensions

n=number of poles

$L=(n-1) \times 5$ (for 5mm)

$L=(n-1) \times 5.08$ (for 5.08mm spacing)

Ordering Information

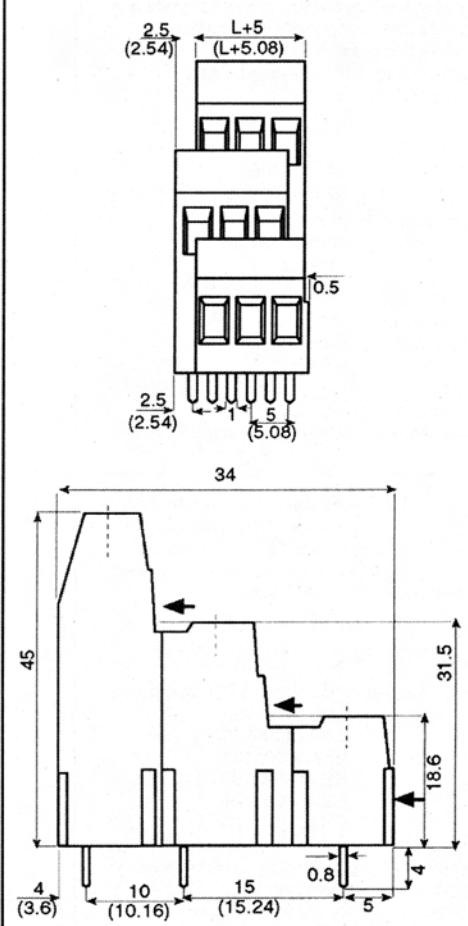
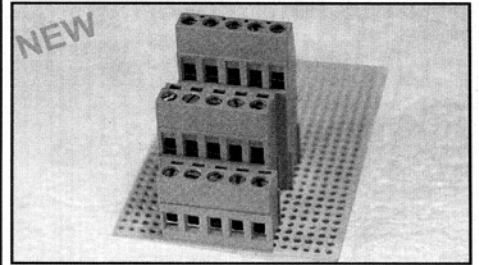


Also available in 10mm and 10.16mm centers.

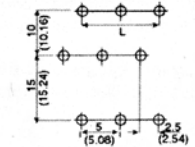
PSQ (PEQ) T Series

24A 300V

5 and 5.08mm



PCB Layout



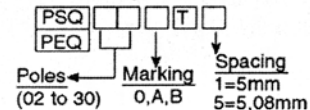
Dimensions

n=number of poles

$L=(n-1) \times 5$ (for 5mm)

$L=(n-1) \times 5.08$ (for 5.08mm spacing)

Ordering Information



Also available in 10mm and 10.16mm centers.