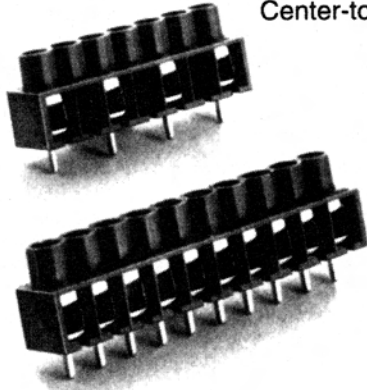


## SERIES PA266/5, PA266/7.5 and PA266/10

5 mm, 7.5 mm and 10 mm  
Center-to-Center Spacing

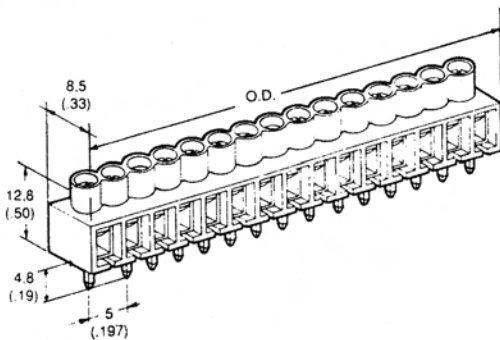


### FEATURES

- **EASY WIRE INSERTION AND REDUCED CONNECTION TIME** – Terminals are provided in the open position and wire entry is tapered for easy entry and faster assembly.
- **ELIMINATES BROKEN SOLDER CONNECTIONS** – Terminals design eliminates transmission of tightening torque to P.C. board while installing wires.
- **NO LOST OR MISSING SCREWS** – Screws are captive within housing.
- **BREAK RESISTANT AND FLAME RETARDANT** – Block molded in 94VO thermoplastic material.
- **SAFETY RECOGNITIONS** – UL recognized under file no. E62557, CSA certified under report no. LR39186-1, meets VDE 0110.



### VARIATIONS PA266



PA266/5 5 MM CENTER-TO-CENTER SPACING (.197")			
No. of Terminals	Part Number	Overall Dimensions O.D.	
2	PA266/5/2	11,5 mm	.45"
3	PA266/5/3	16,5 mm	.65"
4	PA266/5/4	21,5 mm	.85"
5	PA266/5/5	26,5 mm	1.05"
6	PA266/5/6	31,5 mm	1.24"
7	PA266/5/7	36,5 mm	1.44"
8	PA266/5/8	41,5 mm	1.64"
9	PA266/5/9	46,5 mm	1.83"
10	PA266/5/10	51,5 mm	2.03"
11	PA266/5/11	56,5 mm	2.23"
12	PA266/5/12	61,5 mm	2.42"
13	PA266/5/13	66,5 mm	2.62"
14	PA266/5/14	71,5 mm	2.81"
15	PA266/5/15	76,5 mm	3.01"
16	PA266/5/16	81,5 mm	3.21"
17	PA266/5/17	86,5 mm	3.41"
18	PA266/5/18	91,5 mm	3.60"
19	PA266/5/19	96,5 mm	3.80"
20	PA266/5/20	101,5 mm	4.00"
21	PA266/5/21	106,5 mm	4.19"
22	PA266/5/22	111,5 mm	4.39"
23	PA266/5/23	116,5 mm	4.59"
24	PA266/5/24	121,5 mm	4.74"

PA266/7.5 7.5 MM CENTER-TO-CENTER SPACING (.295")			
2	PA266/7.5/2	14,5 mm	.57"
3	PA266/7.5/3	22,0 mm	.87"
4	PA266/7.5/4	29,0 mm	1.14"

PA266/5 10 MM CENTER-TO-CENTER SPACING (.39")			
2	PA266/10/2	16,5 mm	.65"
3	PA266/10/3	26,5 mm	1.05"
4	PA266/10/4	36,5 mm	1.44"
5	PA266/10/5	46,5 mm	1.83"
6	PA266/10/6	56,5 mm	2.23"
7	PA266/10/7	66,5 mm	2.62"
8	PA266/10/8	76,5 mm	3.01"
9	PA266/10/9	86,5 mm	3.41"
10	PA266/10/10	96,5 mm	3.80"
11	PA266/10/11	106,5 mm	4.19"
12	PA266/10/12	116,5 mm	4.59"

### ENGINEERING SPECIFICATIONS

	PA266/5	PA266/7.5	PA266/10
<b>No. of Terminals:</b>	2 thru 24	2 thru 4	2 thru 12
<b>Wire Range:</b>	UL – No. 14-22 AWG, CSA – No. 14-22 AWG		
<b>Voltage Rating:</b>	VDE 0110 –380 volts UL & CSA –300 volts		
<b>Current Rating:</b>	VDE 0110 –10A UL & CSA –15A		
<b>Housing:</b>	Material: (Green) Polyamide 6 Flammability: UL94V-0 Continuous Use Temp.: 105°C		
<b>Metal Parts:</b>	Pin (.8mm x 1mm)	Brass – Tin Plated	
	Connector	Brass – Nickel Plated	
	Pressure Pad	Stainless Steel	
	M 3 x 5 Screw	Steel – Zinc Plated	
<b>Tightening Torque:</b>	4.5 in. – lb.		