

## Series GFT/GB

4 TERMINAL BLOCKS

### ENGINEERING SPECIFICATIONS

**Center-to-Center Spacing:** 7/16" (11.11 mm)  
**Wire Range:** No. 22AWG to No. 12AWG. (CSA requires use of lugs on wire larger than No. 16AWG.)  
**Number of Terminals:** 1 thru 26  
**Voltage Rating:** CSA — 300 volts  
 UL — \*150 volts — General Industrial  
                   \*\*250 volts — Commercial Appliances  
                   300 volts — Limited Energy Applications  
                   600 volts — Limited Energy Applications  
 \*GFT, GFTP, GFTS, GFTAL rated for 300 volts.  
 \*\*GFTQ rated for 125 volts.

**Tightening Torque:**  
 Wire Binding Screw 9 in.-lb.  
 Wire Clamp 9 in.-lb.

**Current Rating:** 20 amps. UL and CSA.

Housing:	Standard	"X" Grade
Material	Phenolic	Polyphenylene Oxide
Continuous Use Temp. (UL Index)	150° C (302° F)	110° C (230° F)
Flammability Rating	94V-0	94V-0
Water Absorption (24 hrs. % wt. gain)	.04%	.06%
Chemical Resistance	Slightly affected by 5% caustic solution	Resistant to inorganic bases and acids

Breakdown Voltage	GFT	GB
Terminal - Terminal	3,900V Typ.	5,000V Typ.
Terminal - Ground	5,800V Typ.	7,900V Typ.

NOTE: Specifications contained herein are subject to change without notice.

### INTERNAL TERMINAL DESIGNATIONS

GFTP	printed circuit board design with .062" dia. tin-plated brass turret-type solder pin.
GFT	tin-plated brass turret-type solder pin.
GFTS	unplated brass insert. No. 6-32 plated steel screw.
GBS	unplated brass insert. Closed-back design which can be mounted on metal surface with no additional insulation required.
GBP	printed circuit board design with .062" dia. tin plated brass pin.
GBFT	tin-plated brass turret-type solder pin.
GFTQX	.250 x .031 tin-plated brass quick connect tab terminal.

### EXTERNAL TERMINAL DESIGNATIONS

GBFT, GBP, GBS, GFT, GFTP	screw terminal with No. 6-32 plated steel* screw accepting up to No. 12AWG wire.
GBFTA, GBPA, GBSA, GFTA, GFTSA, GFTPA	screw terminal with No. 8-32 plated steel* screw accepting up to No. 12AWG wire.
GFTW, GBFTW, GBPW, GFTPW, GBSW, GFTSW	wire clamp captivated to a No. 6-32 plated steel screw accepting No. 20AWG to No. 12AWG.

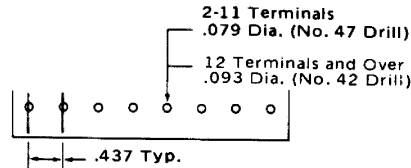
### HOW TO ORDER

GB Series terminal blocks are ordered by listing a composite number made up of the model designation followed by the number of poles required for the application. Example: Type GBP 10-pole block becomes stock number GBP-10.

Suffixes are used as follows:

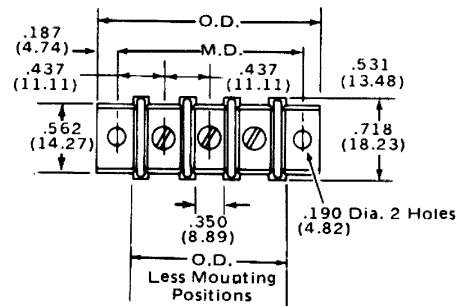
- A denotes model with No. 8-32 external screw terminal
- W denotes model with wire clamp replacing external screw terminal
- C denotes model less mounting positions
- X denotes model with thermoplastic molding
- M denotes model with metric screw (GBPX & GFTX only)

### PC BOARD DRILLING DIMENSIONS



### DIMENSIONS

NOTE: mm dim. are shown in parentheses



No. of Terminals	Mounting Dimensions		Overall Dimensions		Less Mounting Positions	
	Inches	Metric (mm)	Inches	Metric (mm)	Inches	Metric (mm)
1	.875	22.22	1.250	31.75	.562	14.28
2	1.312	33.33	1.687	42.86	1.000	25.40
3	1.750	44.45	2.125	53.97	1.437	36.51
4	2.187	55.56	2.562	65.08	1.875	47.62
5	2.625	66.67	3.000	76.20	2.312	58.73
6	3.062	77.78	3.437	87.31	2.750	69.85
7	3.500	88.90	3.875	98.42	3.187	80.96
8	3.937	100.01	4.312	109.53	3.625	92.07
9	4.375	111.12	4.750	120.65	4.062	103.18
10	4.812	122.23	5.187	131.76	4.500	114.30
11	5.250	133.35	5.625	142.87	4.937	125.41
12	5.687	144.46	6.062	153.98	5.375	136.52
13	6.125	155.57	6.500	165.10	5.812	147.63
14	6.562	166.68	6.937	176.21	6.250	158.75
15	7.000	177.80	7.375	187.32	6.687	169.86
16	7.437	188.91	7.812	198.43	7.125	180.97
17	7.875	200.02	8.250	209.55	7.562	192.08
18	8.312	211.13	8.687	220.66	8.000	203.20
19	8.750	222.25	9.125	231.77	8.437	214.31
20	9.187	233.36	9.562	242.88	8.875	225.42
21	9.625	244.47	10.000	254.00	9.312	236.53
22	10.062	255.58	10.437	265.11	9.750	247.65
23	10.500	266.70	10.875	276.22	10.187	258.76
24	10.937	277.81	11.312	287.33	10.625	269.87
25	11.375	288.92	11.750	298.45	11.062	280.98
26	11.812	300.03	12.187	309.56	11.500	292.10

Dimensions shown are ± 0.030".