

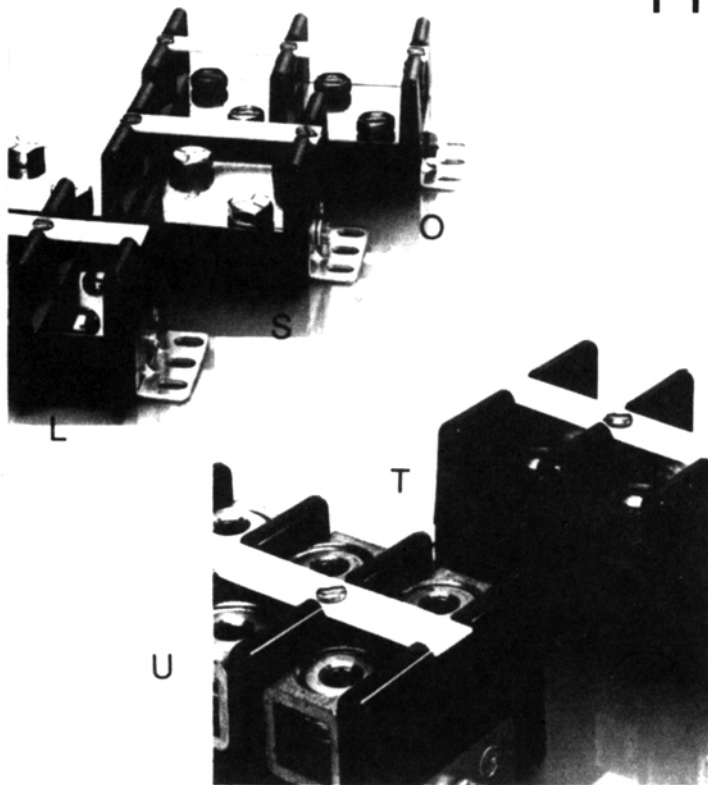
TYPES L, O, S, T and U

FEATURES

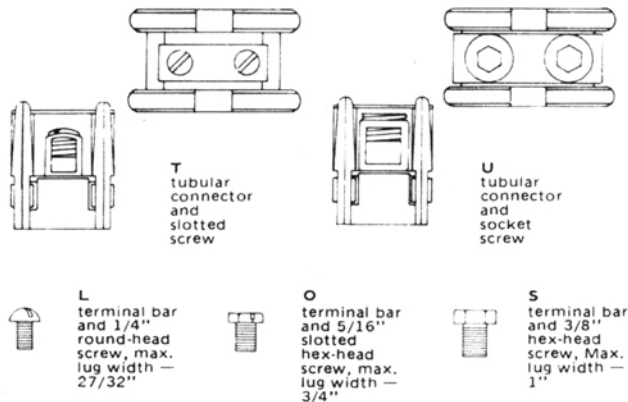
- **HEAVY LOAD TERMINATION FLEXIBILITY** — Designed for machine, switchboard and other heavy load terminations.
- **TUBULAR, HIGH PRESSURE SOLDERLESS CONNECTIONS** — Accommodates wire without lugging — tapped sidewalls for greater mechanical strength — electrolytically pure copper solderless connections provide 100% conductivity.
- **READILY ADAPTABLE TO SPECIAL APPLICATIONS** — Can be used for branch circuit termination with simple modification of standard terminal plate.
- **COMBINED STYLE DESIGN CAPABILITY** — All types can be combined with each other as well as with Types H and BT.
- **RATINGS AND WIRE SIZES TO MATCH HIGH CURRENT NEEDS** — Type L is rated at 100 amps/600 volts UL recognized for wire up to No. 1AWG. Type O: 125 amps/600 volts UL recognized for wire up to No. 1/0AWG. Type S: 225 amps/600 volts UL recognized for wire up to No. 4/0AWG. (Note UL requires the use of UL recognized lugs.)
- **HEAVY LOAD RATINGS AND WIRE SIZES** — Type T — rated 125 amps/600 volts — has headless slotted screw — UL recognized for No. 6AWG to No. 1/0AWG wire. Type U is rated 250 amps/600 volts and features headless socket screw. UL recognized for No. 6AWG to 250MCM wire.
- **RECOGNITION AND LISTING** — UL recognized and CSA certified.

Recognized under the Components Program of Underwriters Laboratories, Inc. Standard 1059, Guide No. XCFR2, File No. E62557.

Guide No. 184-N-90, Report No. LR39186-1.



VARIATIONS



TERMINAL DESIGNATIONS

- T tubular copper with tapped sidewalls and headless slotted screw. Accepts wire from No. 6AWG to No. 1/0AWG.
- U tubular copper with tapped sidewalls and headless socket screw. Accepts wire from No. 6AWG to 250MCM.
- L nickel-plated brass terminal bar with 1/4" — 20 plated round-head steel screws. Accepts wire up to No. 1AWG.
- O nickel-plated brass terminal bar with 5/16" — 18 plated slotted hex-head steel screws. Accepts wire up to No. 1/0AWG.
- S nickel-plated brass terminal bar with 3/8" plated hex-head steel screws. Accepts wire up to No. 4/0AWG.

ACCESSORIES

Plain cover of 1/16" thick black bakelite is permanently positioned to block with two screws. Factory-assembled or customer-installed. To order, specify:

- T — Part No. 268A157-1 thru 6 terminals
- U — Part No. 268A157-1 thru 4 terminals
- L — Part No. 268A158-1 thru 12 terminals
- O — Part No. 268A159-1 thru 4 terminals
- S — Part No. 268A160-1 thru 4 terminals

