

## ENGINEERING SPECIFICATIONS

**Wire Range:** UL Recognized –  
 Type L – to No. 1AWG.  
 Type O – to No. 1/0AWG.  
 Type S – to No. 4/0AWG.  
 Type T – for No. 6AWG to No. 1/0AWG.  
 Type U – for No. 6AWG to 250MCM.

**Number of Terminals:** Type L: 1 thru 12    Type T: 1 thru 6  
 Type O: 1 thru 4    Type U: 1 thru 4  
 Type S: 1 thru 4

**Voltage Rating:** 600 volts. CSA and UL.

**Tightening Torque:** L – 50 in.-lb.    T – 50 in.-lb.  
 O – 50 in.-lb.    U – 275 in.-lb.  
 S – 200 in.-lb.

**Current Rating:** 100 amps (Type L); 125 amps (Type O); 225 amps (Type S); 125 amps (Type T); and 250 amps (Type U).

### Housing:

Material: Phenolic  
 Continuous Use Temp. (UL Index): 150° C (302° F)  
 Flammability Rating: 94V-1  
 Water Absorption (24 hrs. % wt. gain): 0.5%  
 Chemical Resistance: Resistant to most organic solvents.

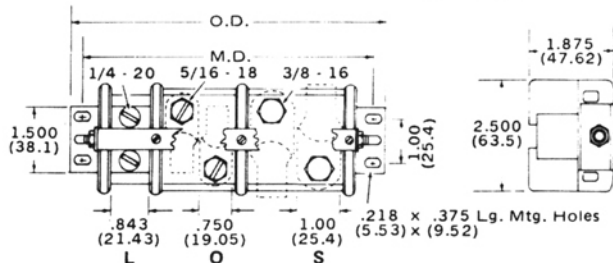
**Breakdown Voltage**

	L	O
Terminal - Terminal	11,000V Typ.	10,900V Typ.
Terminal - Ground	9,700V Typ.	10,300V Typ.
	S	T
Terminal - Terminal	10,400V Typ.	11,000V Typ.
Terminal - Ground	10,500V Typ.	9,700V Typ.
	U	
Terminal - Terminal	9,000V Typ.	
Terminal - Ground	9,000V Typ.	

NOTE: Specifications contained herein are subject to change without notice.

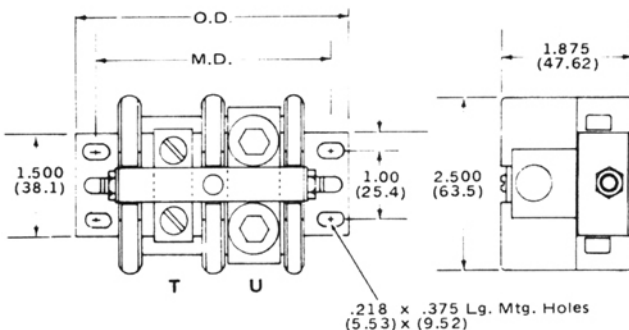
## DIMENSIONS

NOTE: mm dim. are shown in parentheses



NOTE: Lugs are not furnished with blocks

NOTE: mm dim. are shown in parentheses



## HOW TO ORDER

Types L, O, S, T and U terminal blocks are ordered by listing a composite number made up of the model designation followed by the number of terminals required for the application. Example: four-pole terminal block becomes stock number L-4, O-4, S-4, T-4 or U-4.

When ordering combinations of both types, the composite number is made up of both model designations followed by total number of poles and number of each type. A composite of two T terminals followed by two U terminals thus is converted to stock number TU-4 (2T, 2U). Combining these types with Types L, O, S, H and BT would follow the same ordering format. (Note – when combined with types H or BT a special adapter is required.)

No. of Terminals	Mounting Dimensions		Overall Dimensions	
	Inches	Metric (mm)	Inches	Metric (mm)
SERIES "L"				
1	2.183	55.46	2.683	68.16
2	3.342	84.88	3.842	97.58
3	4.500	114.31	5.000	127.01
4	5.659	143.73	6.159	156.43
5	6.817	173.16	7.317	185.86
6	7.976	202.59	8.476	215.29
7	9.134	232.01	9.634	244.71
8	10.293	261.44	10.793	274.14
9	11.451	290.86	11.951	303.56
10	12.610	320.29	13.110	332.99
11	13.768	349.71	14.268	362.41
12	14.927	379.14	15.427	391.84
SERIES "O"				
1	2.880	73.16	3.380	85.86
2	4.736	120.29	5.236	132.99
3	6.591	167.42	7.091	180.12
4	8.447	214.55	8.947	227.25
SERIES "S"				
1	3.440	87.38	3.940	100.08
2	5.856	148.74	6.356	161.44
3	8.271	210.09	8.771	222.79
4	10.687	271.44	11.187	284.14
SERIES "T" and "U"				
1	2.183	55.46	2.683	68.16
2	3.342	84.88	3.842	97.58
3	4.500	114.31	5.000	127.01
4	5.659	143.73	6.159	156.43
5	6.817	173.16	7.317	185.86
6	7.976	202.59	8.476	215.29

Dimensions shown are ±.030"

NOTE: Thru-bolt construction is amply strong for normal applications, but if excessive mechanical loads are expected, strain relief should be provided. Chart lists dimensions for up to six terminals per block, but longer lengths are available. Tie-down points are recommended for blocks exceeding four terminals for Type U and six terminals for Type T.