

**STP-3501 Series  
Panel Mount 3.5mm  
Stereo Jack**

**Features**



- Panel Mount
- Eyelet Terminals
- Audio Applications for Computers and Multimedia
- CSA/NRTL Certified File No. LR78160

**Performance Specifications**

**Materials and Finish**

**Housing**

PBT Thermoplastic; Black Color, UL 94V-0 Rated

**Bushing**

Brass, Nickel Plated

**Terminals**

Copper Alloy, Silver Plated



**Mechanical Characteristics**

**Insertion Force**

0.3kg - 3.0kg

**Extraction Force**

0.3kg - 3.0kg

**Durability**

5000 Mating Cycles

**Electrical Characteristics**

**Insulation Resistance**

More than 50 Megohm at 250V DC

**Withstanding Voltage**

500V AC RMS for One Minute

**Contact Resistance**

Before Durability Test

30 Milliohms Max

After Durability Test

60 Milliohms Max

**Operating Temperature**

-25°C to +80°C

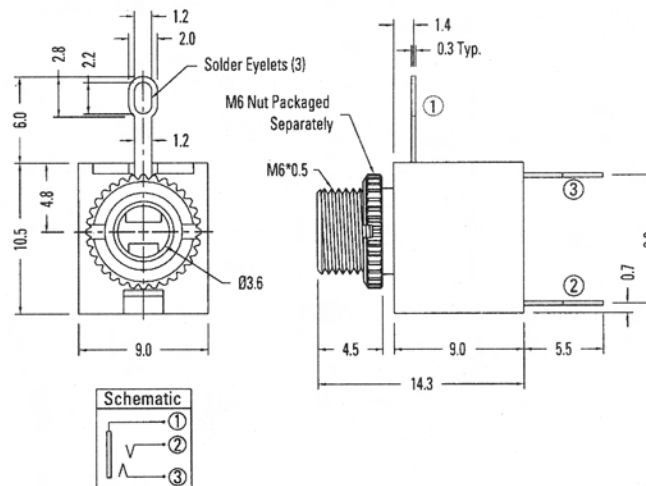
**Ordering Information**

STP-3501	-	3	-	N
Series		Number of Pins		Options
<b>Series</b>				
STP-3501 - 3.5mm Panel Mount Stereo Jack				
<b>Number of Pins</b>				
3 - 3 Pins				
<b>Threading Option</b>				
C - Threaded				
N - Non Threaded				

**Dimensions**

Dimensions in mm

**STP-3501-3C**



**STP-3501-3N**

