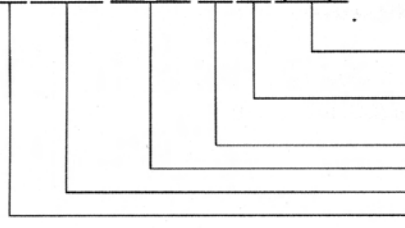


DA • DB • DF Series **7**

RELAYS

● How to Order

D B 1 A 0 5 B W (D)



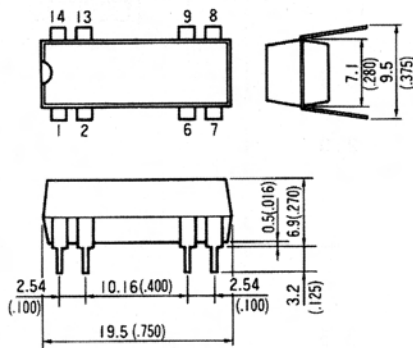
- D: Diode (optional)
- W: Standard X: Magnetic shield (optional on DA 1A, DB 1A, DA 1C, DB 1C, DF 1A)
- Y: Electrostatic shield (optional on DB 1A, DB 1C, DA 1A, DA 1C)
- Z: Magnetic & Electrostatic shield (optional on DB 1A, DB 1C, DA 1A, DA 1C)
- Power—B: 10W C: 3W (1C) D: 50W (Mercury) N: 50W (Mercury high speed)
- Nominal coil voltage—5V, 12V, 24V
- Contact form—1A, 2A, 1B, 1C
- A: 8-pin DIP with pin #13 not connected B: 8-pin DIP F: 4-pin DIP

■ CONTACT RATINGS (resistive loads)

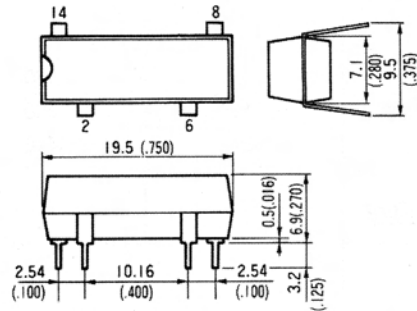
Parameters	DA DB	DA DB	DA 1A DB 1C	DA 1A DB 1B
Power (W) max.	10	3	50	10
Voltage (VDC) max.	200	100	500	200
Switching Current (A) max.	0.5	0.25	2.0	0.5
Carry Current (A) max.	1.0	0.5	2.0	1.0
Contact Resistance (Ω) max. (initial)	0.15	0.15	0.1	0.15 (1A), 0.2 (1B)
Breakdown Voltage (VDC) min.	Open Contact	250	200	1000
	Contact to Coil	1500	1500	1500
Insulation Resistance (Ω) min.	Open Contact	10 ¹⁰	10 ⁸	10 ¹⁰
	Contact to Coil	10 ¹⁰	10 ¹⁰	10 ¹⁰
Operate Time (mS) max. (incl. bounce)	1.0	2.0	1.0(NW), 2.0(DW)	1.0
Release Time (mS) max.	0.5	2.5	1.0(NW), 2.0(DW)	0.5
Electrical Life	Low Level	10 ⁸ (10mVDC, 10μA)	5 × 10 ⁸ (10VDC, 4mA)	10 ⁹ (10VDC, 4mA)
	Rated Load	6 × 10 ⁵ (20VDC, 0.5A)	2 × 10 ⁶ (12VDC, 0.25A)	6 × 10 ⁵ (50VDC, 1.0A)

■ DIMENSIONS Unit : mm (inch)

DA • DB Series



DF Series



* Lead 0.5 × 0.25 (.020 × .010)