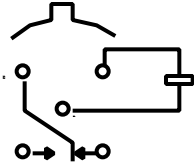


1MA

**STANDARD TO-5
HIGH-PERFORMANCE RELAY**

**QUALIFIED TO
MIL-R-39016/7**



TERMINAL VIEW

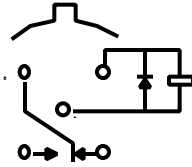
FEATURES

- Hermetically sealed
- High shock & vibration ratings
- Spreader pad
- Excellent RF switching

1MAD

**STANDARD TO-5
DIODE SUPPRESSED
HIGH-PERFORMANCE RELAY**

**QUALIFIED TO
MIL-R-39016/23**



TERMINAL VIEW

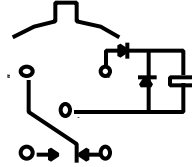
FEATURES

- Suppression diode
- Hermetically sealed
- High shock & vibration ratings
- Spreader pad
- Excellent RF switching

1MADD

**STANDARD TO-5 DIODE
SUPPRESSED/PROTECTED
HIGH-PERFORMANCE RELAY**

**QUALIFIED TO
MIL-R-39016/24**



TERMINAL VIEW

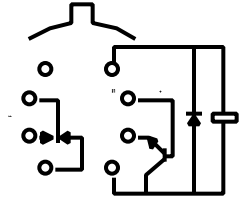
FEATURES

- Suppression & protection diodes
- Hermetically sealed
- High shock & vibration ratings
- Spreader pad
- Excellent RF switching

1MAT

**STANDARD TO-5 DIODE
SUPPRESSED/TRANSISTOR
DRIVEN HIGH-PERFORMANCE
RELAY**

**QUALIFIED TO
MIL-R-28776/5**



TERMINAL VIEW

FEATURES

- Transistor driver & suppression diode
- Hermetically sealed
- High shock & vibration ratings
- Spreader pad
- Excellent RF switching

ELECTRICAL CHARACTERISTICS

CONTACT ARRANGEMENT

1 Form C (SPDT)

CONTACT MATERIAL

Stationary:
Gold/platinum/palladium/silver alloy (gold plated)

Moveable:
Gold/platinum/palladium/silver alloy (gold plated)

CONTACT RESISTANCE

Before Life: 100 milliohms max. (measured @ 10 mA @ 6 Vdc)

After Life: 200 milliohms max. (measured @ 1 A @ 28 Vdc)

MECHANICAL LIFE EXPECTANCY

1 million operations

COIL VOLTAGE

5 to 26 Vdc

COIL POWER

512 mW max. @ 25°C

DUTY CYCLE

Continuous

PICK-UP VOLTAGE

Approximately 50% of nominal coil voltage

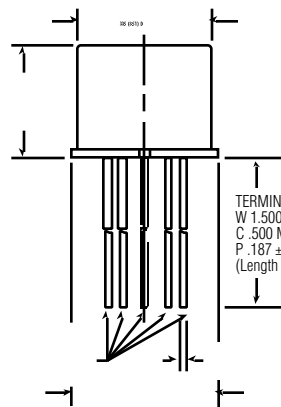
PICK-UP SENSITIVITY

100 mW max. @ 25°C



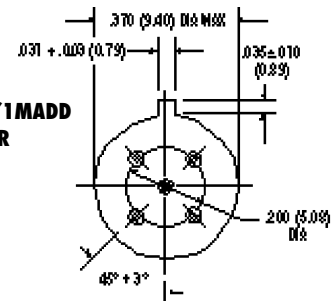
CONTACT RATINGS

CONTACT LOAD	TYPE	OPERATIONS MIN.
1.0 A @ 28 Vdc	Resistive	100,000
250 mA @ 115 Vac, 60 Hz & 400 Hz	Resistive (case not grounded)	100,000
100 mA @ 115 Vac, 60 Hz & 400 Hz	Resistive	100,000
0.2 A @ 28 Vdc	Inductive (0.32 Henry)	100,000
0.1 A @ 28 Vdc	Lamp	100,000
30 mA @ 50 mVdc	Low Level	1,000,000
0.1 A @ 28 Vdc	Intermediate Current	50,000



1MA/1MAD/1MADD/1MAT ENCLOSURE

1MA/1MAD/1MADD HEADER



1MAT HEADER

