

**7
RELAYS**

OPERATING CHARACTERISTICS

TIMING

Set-Reset Time:
5.0 ms max.

CONTACT BOUNCE

2.0 ms max. (LS)
5.0 ms max. (LR)

DIELECTRIC WITHSTANDING VOLTAGE

Between Open Contacts:
500 Vrms 60 Hz (LS)
350 Vrms 60 Hz (LR)

Between Adjacent Contacts:
1000 Vrms 60 Hz (LS)
500 Vrms 60 Hz (LR)

Between Contacts and Coil:
1000 Vrms 60 Hz (LS)
500 Vrms 60 Hz (LR)

INSULATION RESISTANCE

10,000 megohms min. @ 500 Vdc

ENVIRONMENTAL CHARACTERISTICS

TEMPERATURE RANGE

-65°C to +125°C

WEIGHT

.46 oz (13 gms) max.

VIBRATION RESISTANCE

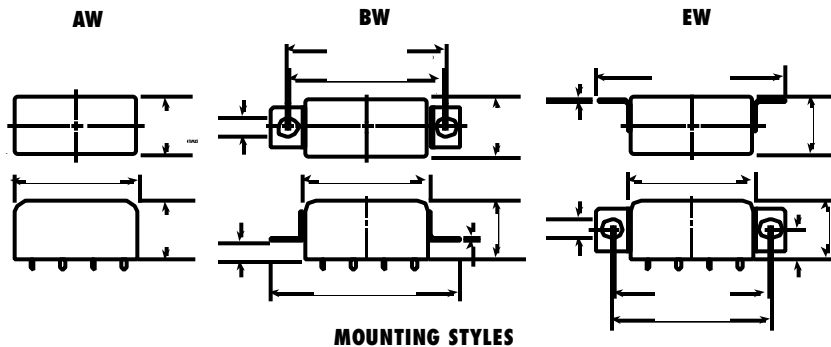
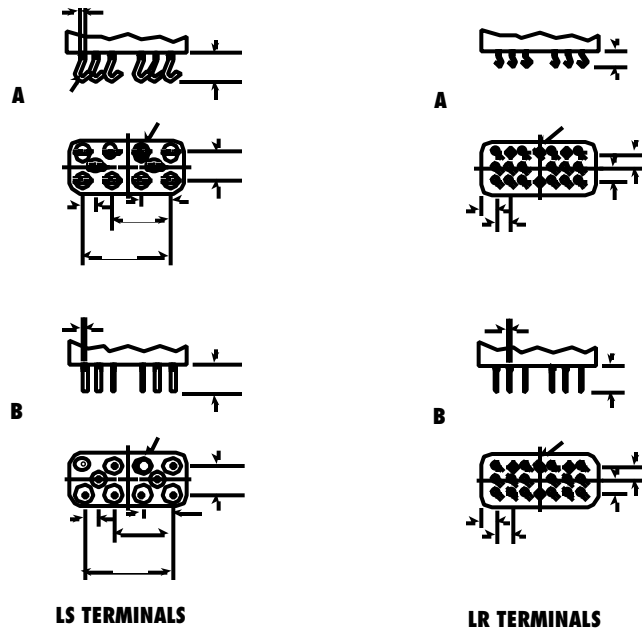
Standard: 20 G's, 10 to 2,000 Hz
QPL Equiv: 30 G's, 10 to 2,500 Hz

SHOCK RESISTANCE

100 G's, 6 ±1 ms

QPL EQUIVALENT

MIL-R-39016/45 (LS)
MIL-R-39016 (LR)



STANDARD COIL DATA

NOM. COIL VOLTAGE (Vdc)	COIL RESISTANCE IN OHMS ±10% @ 25°C	PICKUP VOLTAGE Vdc (MAX.) @ 25°C	PICKUP VOLTAGE Vdc (MAX.) @ 125°C	PICKUP VOLTAGE Vdc (MIN.) @ 25°C	PICKUP VOLTAGE Vdc (MIN.) @ -65°C	NOM. COIL POWER (mW) @ 25°C	MAX. COIL VOLTAGE	COIL DESIG.
5.0	45	2.7	3.8	1.6	1.0	556	6.7	5
6.0	63	3.25	4.5	2.0	1.3	571	8.0	6
12.0	254	6.5	9.0	4.0	2.6	567	16.0	12
26.5	1,000	13.0	18.0	8.0	5.2	702	32.0	24
48.0	3,800	26.0	36.0	16.0	10.4	606	64.0	48

SPECIFYING A PART NUMBER EXAMPLE:

TYPE	MOUNTINGS	CONTACTS	COILS	TERMINALS
LR	BW-	4C-	24	B
LS	BW-	2C-	24	B