

# SR-SS

# 7

# RELAYS

**OPERATING CHARACTERISTICS**

**TIMING**

Operate Time:  
5.0 ms max.

Release Time:  
5.0 ms max.

**CONTACT BOUNCE**

2.0 ms max. (SR)  
5.0 ms max. (SS)

**DIELECTRIC WITHSTANDING VOLTAGE**

Between Open Contacts:  
350 Vrms 60 Hz

Between Adjacent Contacts:  
500 Vrms 60 Hz

Between Contacts and Coil:  
500 Vrms 60 Hz

**INSULATION RESISTANCE**

1,000 megohms min. @ 500 Vdc

**ENVIRONMENTAL CHARACTERISTICS**

**TEMPERATURE RANGE**

-65°C to +125°C

**WEIGHT**

0.28 oz. (7.8 gms)

**VIBRATION RESISTANCE**

20 G's, 10 to 2,000 Hz

**SHOCK RESISTANCE**

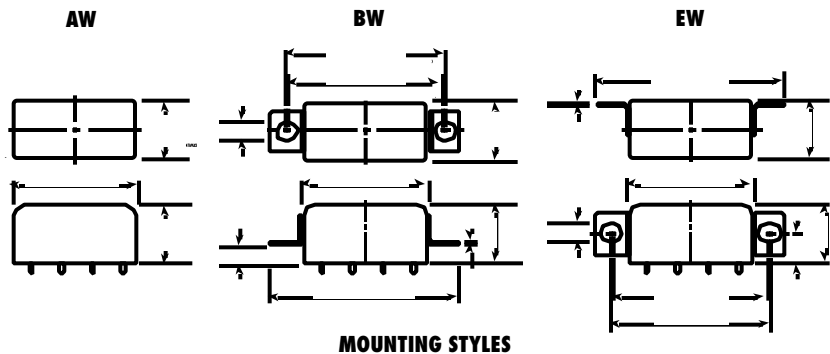
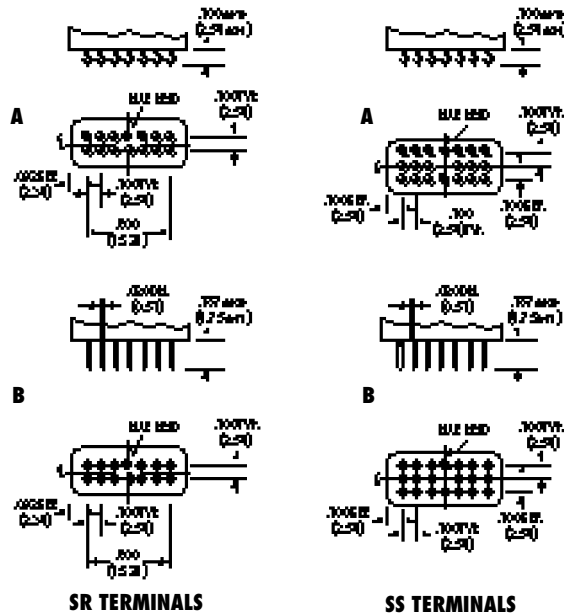
100 G's, 6 ±1 ms

**QPL APPROVAL**

MIL-R-39016/40 (SR)

**QPL EQUIVALENT**

MIL-R-39016 (SS)



**STANDARD COIL DATA**

NOM. COIL VOLTAGE (Vdc)	COIL RESISTANCE IN OHMS ±10% @ 25°C	PICKUP VOLTAGE Vdc (MAX.) @ 25°C	PICKUP VOLTAGE Vdc (MAX.) @ 125°C	PICKUP VOLTAGE Vdc (MIN.) @ 25°C	PICKUP VOLTAGE Vdc (MIN.) @ -65°C	NOM. COIL POWER (W) @ 25°C	MAX. COIL VOLTAGE	COIL DESIG.
6.0	25	3.5	4.5	0.45	0.3	1.44	8.0	6
12.0	100	6.5	9.0	0.9	0.6	1.44	15.0	12
26.5	390	14.0	18.0	1.8	1.2	1.8	32.0	24

**SPECIFYING A PART NUMBER EXAMPLE:**

TYPE	MOUNTINGS	CONTACTS	COILS	TERMINALS
SR	BW-	4C-	24	B
SS	BW-	6C-	24	B