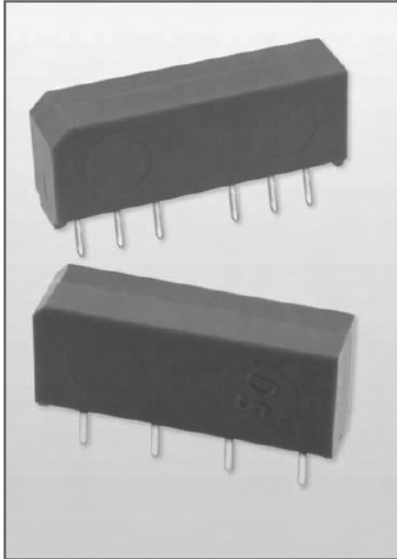


# 9000 Series / Molded SIP Reed Relays



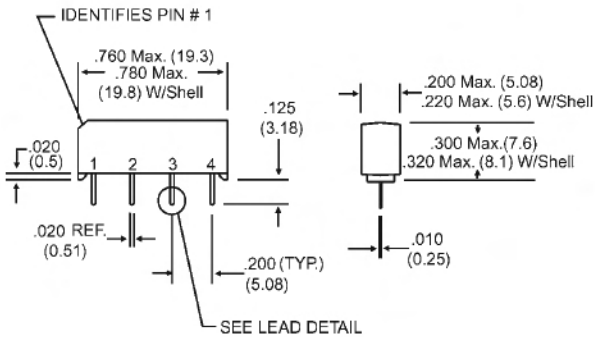
### High Performance SIP Reed Relays

The SIP relay is the industry standard when high reliability and consistent performance are desired in a compact package. The 9001 and 9002 are high performance relays ideally suited for Automatic Test Equipment, Instrumentation, RF and Telecommunications applications. The specification tables allow you to select the appropriate relay for your application.

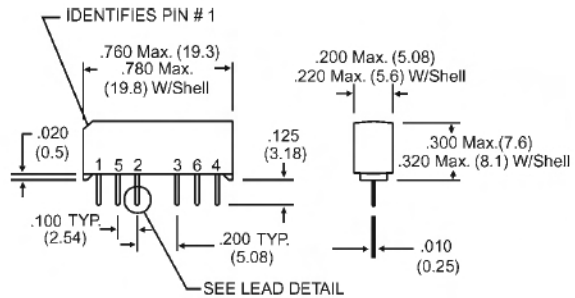
### Series Features

- ◆ High Insulation Resistance -  $10^{12} \Omega$  minimum ( $10^{13} \Omega$  typical)
- ◆ High reliability, hermetically sealed contacts for long life (tested to 1 Billion Operations)
- ◆ High dielectric strength available, consult factory
- ◆ High speed switching compared to electromechanical relays
- ◆ Molded thermoset body on integral lead frame design
- ◆ Coaxial Shield for 50  $\Omega$  impedance and switching of fast rise time digital pulses - 9002 only
- ◆ Optional Coil Suppression Diode - protects coil drive circuits
- ◆ UL File # E67117, CSA File # LR 28537

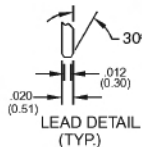
**Model 9001**



**Model 9002**



Dimensions in Inches (Millimeters)



### Ordering Information

<b>Part Number</b>	90XX-XX-XX
<b>Model Number</b>	9001 9002
<b>Coil Voltage</b>	05=5 volts 12=12 volts
<b>Magnetic Shield Option</b>	0=No Shield 1=Shield
<b>General Options</b>	0=No Diode 1=Diode <sup>2</sup> 2=Form B Contacts (Normally Closed <sup>3</sup> ) (9001 & 9002 Models, 5V only)