

Panel Mount SSRs

SERIES CMD/CMA 25-125 Amp • 240, 480, 600 Vac • AC Output

Featuring state-of-the-art Surface Mount Technology, this SPST-NO relay delivers proven reliability in the most demanding applications. Output consists of an SCR AC switch and is available in zero-cross and random turn-on versions.

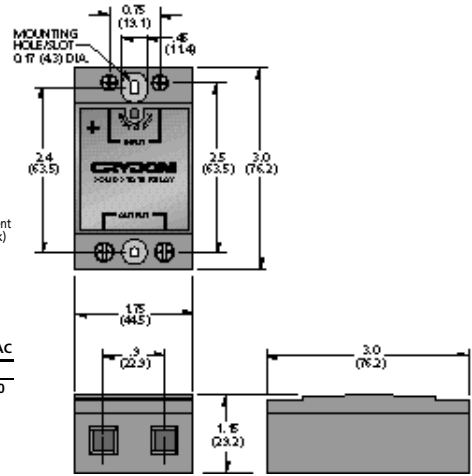
- AC or DC Control with Status Indicating Display
- Zero Voltage & Random Turn-On Switching



DC/AC CONTROL Type	Line Voltage Range (Vac)	Load Current Range (Arms)	Control Voltage Range (Vdc/Vrms)	Surge Current 16.6ms (Apk)
CMD/CMA2425	24-280	0.15-25	3-32/90-140	250
CMD/CMA2450	24-280	0.15-50	3-32/90-140	625
CMD/CMA2475	24-280	0.25-75	3-32/90-140	1000
CMD/CMA2490	24-280	0.25-90	3-32/90-140	1200
CMD/CMA24110	24-280	0.25-110	3-32/90-140	1500
CMD/CMA24125	24-280	0.25-25	3-32/90-140	1750
CMD/CMA4825	48-530	0.15-25	3-32/90-140	250
CMD/CMA4850	48-530	0.15-50	3-32/90-140	625
CMD/CMA4875	48-530	0.25-75	3-32/90-140	1000
CMD/CMA4890	48-530	0.25-90	3-32/90-140	1200
CMD/CMA48110	48-530	0.25-110	3-32/90-140	1500
CMD/CMA48125	48-530	0.25-25	3-32/90-140	1750

DC/AC CONTROL Type	Line Voltage Range (Vac)	Load Current Range (Arms)	Control Voltage Range (Vdc/Vrms)	Surge Current 16.6ms (Apk)
CMD/CMA6025	48-660	0.15-25	3-32/90-140	250
CMD/CMA6050	48-660	0.15-50	3-32/90-140	625
CMD/CMA6075	48-660	0.25-75	3-32/90-140	1000
CMD/CMA6090	48-660	0.25-90	3-32/90-140	1200
CMD/CMA60110	48-660	0.25-110	3-32/90-140	1500
CMD/CMA60125	48-660	0.25-25	3-32/90-140	1750 AC

AVAILABLE OPTIONS: -10 Random Turn-On, Phase Controllable
Operating Temp Range: -30°C to 80°C Isolation Voltage (Vac): 4000



SERIES DC60 3-7 Amp • 60Vdc • DC Output

Bipolar transistor outputs are available in 3, 5 and 7 amp ratings. Cost-effective relays offer 4000 Volt isolation and come in Crydom's standard panel-mount package.

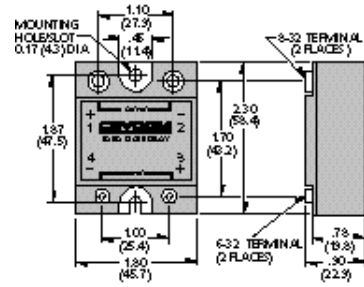
- AC or DC Control, Cost Effective
- Industry Standard Package



DC CONTROL Type	Line Voltage Range (Vdc)	Load Current Range (Acd)	Control Voltage Range (Vdc)	Surge Current 1-Cycle (Apk)
DC60S3	3-60	.02-3	3.5-32	6
DC60S5	3-60	.02-5	3.5-32	10
DC60S7	3-60	.02-7	3.5-32	14

AC CONTROL Type	Line Voltage Range (Vdc)	Load Current Range (Acd)	Control Voltage Range (Vac)	Surge Current 1-Cycle (Apk)
DC60SA3	3-60	.02-3	90-280	6
DC60SA5	3-60	.02-5	90-280	10
DC60SA7	3-60	.02-7	90-280	14

Operating Temp Range: -30°C to 80°C Isolation Voltage (Vac): 4000



Series DC60

SERIES 1-DC 7-40 Amp • 0-500Vdc • DC Output

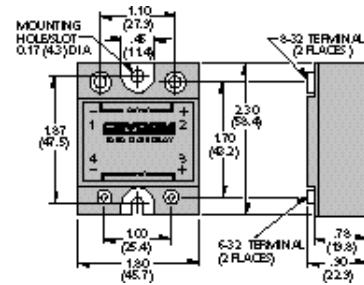
DC output relays feature MOSFET technology for low on-state resistance, assuring easy paralleling and switching capabilities to 40 amps at 100 Vdc. Lower current models are also available to 500 Vdc. All models come in Crydom's standard panel-mount package.

- MOSFET Output, Low On-State Resistance
- Paralleling Capability for Higher Currents



DC CONTROL Type	Line Voltage Range (Vac)	Load Current Range (Arms)	Control Voltage Range (Vdc)	Surge Current 1-Cycle (Apk)
D1D07	0-100	0-7	3.5-32	15
D1D12	0-100	0-12	3.5-32	28
D1D20	0-100	0-20	3.5-32	42
D1D40	0-100	0-40	3.5-32	106
D2D07	0-200	0-7	3.5-32	22
D2D12	0-200	0-12	3.5-32	27
D4D07	0-400	0-7	3.5-32	17
D4D12	0-400	0-12	3.5-32	36
D5D07	0-500	0-7	3.5-32	19
D5D10	0-500	0-12	3.5-32	29

Operating Temp Range: -30°C to 80°C Isolation Voltage (Vac): 2500
*UL Approval on 100V Models Only



Series 1-DC

SERIES PRG 150 Amp • 120/240, 480Vac • AC Output

Featuring state-of-the-art Surface Mount Technology, this SPST-NO relay delivers proven reliability in the most demanding applications. Output consists of an SCR AC switch with internal snubber and is available in zero-cross and random turn-on (phase controllable) versions.

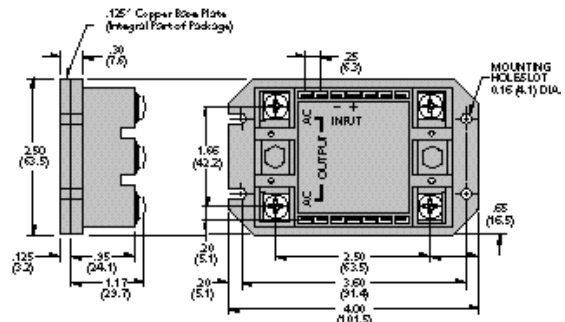
- Extra High Steady-State Current
- Zero Voltage & Random Turn-On Switching



DC CONTROL Type	Line Voltage Range (Vac)	Load Current Range (Arms)	Control Voltage Range (Vdc)	Surge Current 1-Cycle (Apk)
PRGD24150	24-280	.15-150	3-32	1750

AC CONTROL Type	Line Voltage Range (Vac)	Load Current Range (Arms)	Control Voltage Range (Vac)	Surge Current 1-Cycle (Apk)
PRGA24150	24-280	.15-150	90-140	1750

AVAILABLE OPTIONS: -10 Non-Zero Cross, Phase Controllable
Operating Temp Range: -30°C to 80°C Isolation Voltage (Vac): 4000



Series PRG

7
RELAYS