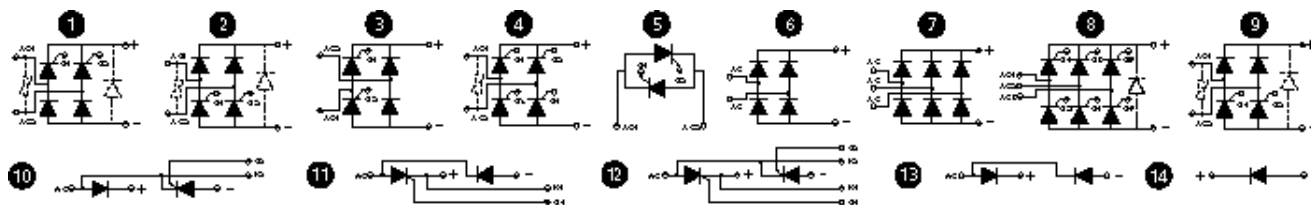


Power Modules

Crydom is your single source for all your SCR/diode power module needs. Choose from a wide selection of ready-to-use circuit configurations, in virtually any package size and power rating. And when you want something special, Crydom can produce custom circuitry to your exacting specifications.

Top quality and dependability are assured in Crydom's ISO 9002 certified manufacturing facilities.



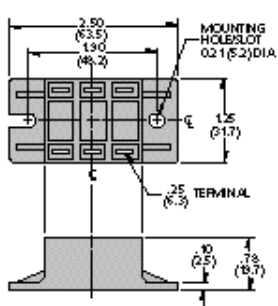
SERIES B48-2T, B48-2, B-2T, B-2 25-42.5 Amp • SCR/Diode Module

- Single and Three Phase Circuits
- Up to 1600 Volt Blocking Standard

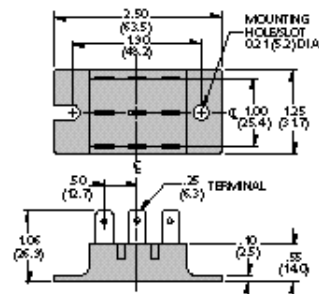


PANEL MOUNT Type	Current (Amps)	Circuit Fig. No.	AC Line Input Voltage (Vac)	Repetitive Peak Rev. Voltage (V_{RRM})	Max. Non-Repetitive Surge Current (I_{TSM})
B483C-2	35	6	240	600	600
B483F-2	35	6	480	1200	600
B485C-2	35	7	240	600	600
B485F-2	35	7	480	1200	600
B512F-2	25	1	240	600	300
B512F-2T	25	1	240	600	300
B512FSE-2T	25	1	240	600	300
B514F-2T	25	1	480	1200	300
B514FSE-2T	25	1	480	1200	300
B522F-2T	25	2	240	600	300
B522FSE-2	25	2	240	600	300
B522FSE-2T	25	2	240	600	300
B532-2T	25	3	240	600	300
B542-2T	25	4	240	600	300
B552-2T	25	5	240	600	300
B554-2T	25	5	480	1200	300
B612F-2T	42.5	1	240	600	600
B622F-2T	42.5	2	240	600	600
B652-2T	42.5	5	240	600	600

S = internal suppressor Operating Temp Range: -30°C to 80°C Isolation Voltage (Vac): 2500



Series B48-2, B-2



Series B48-2T, B-2T

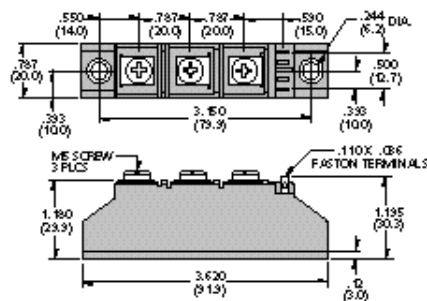
SERIES F18 25-90 Amp • SCR/Diode Module

- Industry Standard Package and Circuits
- Power Control Building Blocks



PANEL MOUNT Type	Current (Amps)	Circuit Fig. No.	AC Line Input Voltage (Vac)	Repetitive Peak Rev. Voltage (V_{RRM})	Max. Non-Repetitive Surge Current (I_{TSM})
F1842SD600	40	12	240	600	1000
F1842SD1200	40	12	480	1200	1000
F1857D1200	55	14	480	1200	1500
F1857DH1200	55	10	480	1200	1500
F1857DH600	55	10	240	600	1500
F1857HD1200	55	11	480	1200	1500
F1857HD600	55	11	240	600	1500
F1857RD1200	55	13	480	1200	1500
F1857RD600	55	13	240	600	1500
F1857SD1200	55	12	480	1200	1500
F1857SD600	55	12	240	600	1500
F1892D1200	90	14	480	1200	1950
F1892D600	90	14	240	600	1950
F1892DH1200	90	10	480	1200	1950
F1892DH600	90	10	240	600	1950
F1892HD1200	90	11	480	1200	1950
F1892HD600	90	11	240	600	1950
F1892RD1200	90	13	480	1200	1950
F1892RD600	90	13	240	600	1950
F1892SD1200	90	12	480	1200	1950
F1892SD600	90	12	240	600	1950

Operating Temp Range: -30°C to 80°C Isolation Voltage (Vac): 2500



Series F18