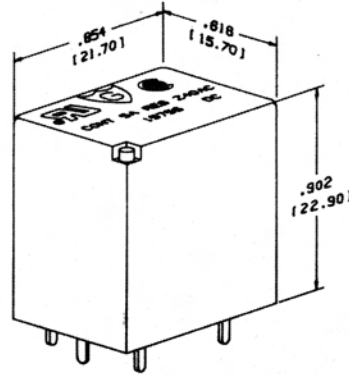


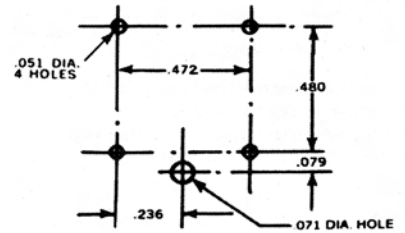


1575 SERIES - SPDT

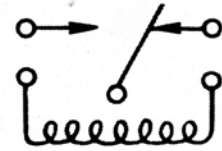
- SPDT (1C)
- Rated: 5 amps at 30 VDC and 240 VAC
Resistive load. 1/10 H.P. at 120 VAC
- Sealed version 1575S
- Printed circuit termination
- Standard/stock D.C. coil voltages 6, 12, 24
- Weight .5 oz. (14 grams)



5 AMPS



P.C. LAYOUT (COPPER SIDE)



SCHEMATIC DIAGRAM
BOTTOM VIEW

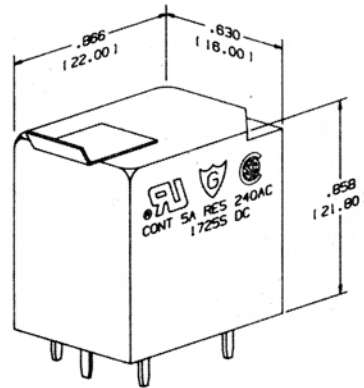
Coil Voltage	Coil Res. Ω	PART NUMBERS	
		Unsealed	Sealed
6VDC	100	1575-1C-6D	1575S-1C-6D
12VDC	400	1575-1C-12D	1575S-1C-12D
24VDC	1600	1575-1C-24D	1575S-1C-24D

1725 SERIES - SPDT

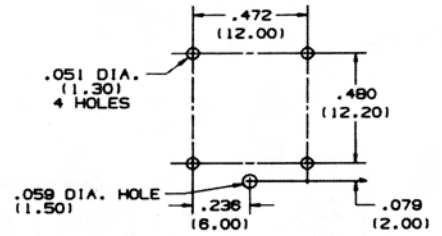
- SPDT (1C)
- Rated: 5 amps at 30 VDC/120 VAC/240 VAC
Resistive load. 1/10 H.P., 120 VAC.
5 amp Tungsten 120 VAC
- Sealed version 1725S
- Printed circuit termination
- Standard/stock D.C. coil voltages 6, 12, 24
- Weight 1 oz. (28 grams)



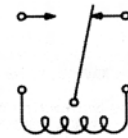
New 10 Amp Rating
SPST-1A Version



5 AMPS



P.C. LAYOUT (COPPER SIDE)



CIRCUIT
DIAGRAM

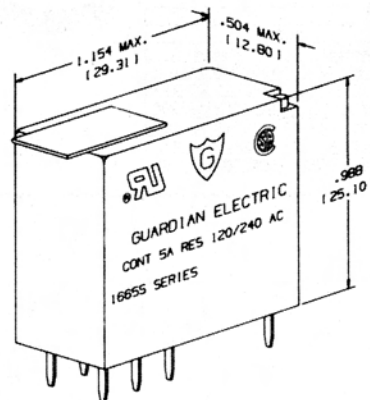
Coil Voltage	Coil Res. Ω	PART NUMBERS	
		Unsealed	Sealed
6VDC	100	1725-1C-6D	1725S-1C-6D
12VDC	400	1725-1C-12D	1725S-1C-12D
24VDC	1600	1725-1C-24D	1725S-1C-24D

1665 SERIES - DPDT

- DPDT (2C)
- Rated: 5 amps at 30 VDC, 120/240 VAC
Resistive load; 5 amp Tungsten - 120 VAC; TV5 - 120 VAC
1/6 H.P. at 120 VAC;
1/3 H.P. at 240 VAC
- Sealed version 1665S
- Stock/standard D.C. coil voltages 6, 12, 24
- Weight .53 oz. (15 grams)

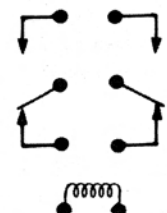
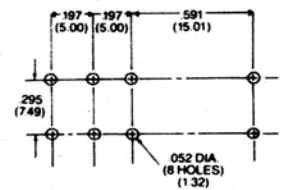


Now VDE Approved



5 AMPS

PRINTED CIRCUIT BOARD LAYOUT
(COPPER SIDE)



Coil Voltage	Coil Res. Ω	PART NUMBERS	
		Unsealed	Sealed
6VDC	68	1665-2C-6D	1665S-2C-6D
12VDC	275	1665-2C-12D	1665S-2C-12D
24VDC	1100	1665-2C-24D	1665S-2C-24D