

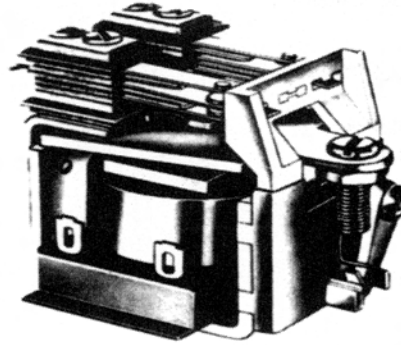


OPEN RELAYS

840LS/845LS Latching Relay - SPDT, DPDT, 4PDT

10 AMPS

- SPDT (1C), DPDT (2C), 4PDT (4C)
- Rated 10 amps resistive at 120 VAC
- Solder lug termination
- Standard/stock AC coil voltages 24 & 120
- Standard/stock DC coil voltages 12 & 24
- 20 M.S. pulse to latch or release
- Mounting single 8-32 tapped hole
- Weight 5.2 oz. (132.28 grams)



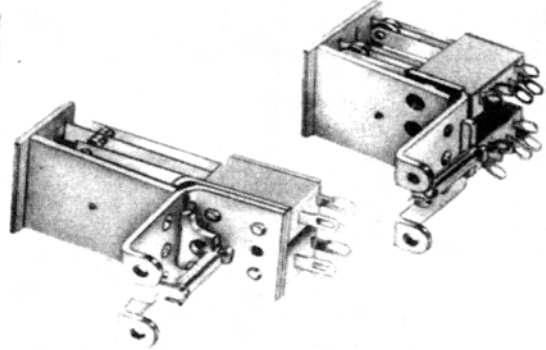
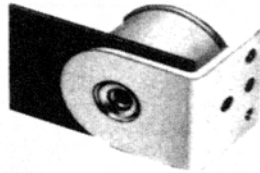
Coil Voltage	Coil Res. Ω	Contact Combination	PART NUMBERS
24VAC	9	SPDT	840LS-C-24A
24VAC	9	DPDT	840LS-2C-24A
24VAC	9	4PDT	840LS-4C-24A
120VAC	200	SPDT	840LS-C-120A
120VAC	200	DPDT	840LS-2C-120A
120VAC	200	4PDT	840LS-4C-120A
12VDC	14.4	DPDT	845LS-2C-12D
12VDC	14.4	4PDT	845LS-4C-12D
24VDC	55	DPDT	845LS-2C-24D
24VDC	55	4PDT	845LS-4C-24D

OPEN RELAYS

200 SERIES - SPDT & DPDT

8 AMPS

- SPDT (1C) and DPDT (2C)
- SPDT rated at 10 amps
- DPDT rated at 8 amps
- Solder lug termination
- Separate coil and contact assemblies
- Standard/stock AC coil voltage 120
- Standard/stock DC coil voltages 12 and 24



COIL ASSEMBLIES

Coil Voltage	Coil Res. Ω	Part Number
120VAC	550	200-120A
12VDC	49.4	200-12D
24VDC	203	200-24D

CONTACT SWITCH ASSEMBLIES

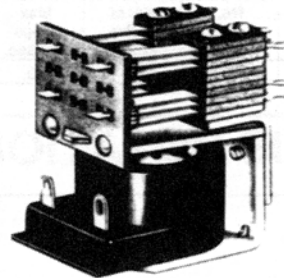
Configuration	Type	Rating	PART NUMBER
DPDT	Standard	8 amp	200-2
SPDT	Midget	10 amp	200-M1

640U SERIES - DPDT & 4PDT

10 AMPS

- DPDT (2C) and 4PDT (4C)
- Rated at 10 amps 120 VAC
- Solder lug termination
- Standard/stock AC coil voltage 24 & 120
- Weight 3.5 oz. (99 grams)

Coil Voltage	Coil Res. Ω	Contact Configuration	PART NUMBER
24VAC	48	DPDT	640U-2C-24A
24VAC	24	4PDT	640U-4C-24A
120VAC	1400	DPDT	640U-2C-120A
120VAC	550	4PDT	640U-4C-120A



TIME DELAY RELAYS

10 AMPS - PET PROGRAMMABLE SERIES - DPDT

- DPDT (2C)
- Rated 10 amps resistive 120 VAC
- Radio type 11 pin plug in terminals
- Input voltage selectable 24 VDC, 120 & 24 VAC
- 5 operating modes:
Delay on operate; Delay on release;
Delay on both operate and release;
Interval on; One shot
- Selectable delays from .3 sec. to 2.2 hrs.
- Sockets available
- Weight 5 oz. (132 grams)

Input Voltage Programmable	Timing Range Programmable	PART NUMBER
24D, 120 & 24A	.3 sec. to 2.2 hrs.	PET-1481

