

DC Control

5DP Contactors

SCR Drive Contactors - N.O. or N.C. Power Poles

Current Rating	Poles		Fig. No.	Open Type Catalog No.
	N.O.	N.C.		
40 amp.	0	1	7A	² 7001-5150-*
	0	2	9	² 7001-5230-*
	1	0	1	² 7001-6050-*
	2	0	3	² 7001-7030-*
	2	1	15	² 7001-7140-*
75 amp.	0	1	7A	5DP7-5150-*
	0	2	9	5DP7-0230-*
	1	0	1	5DP7-7030-*
	2	0	3	5DP7-1050-*
	2	1	15	5DP7-7140-*
170 amp.	0	1	8	5DP3A-01100
	0	2	9	5DP3A-02100
	1	0	1	5DP3A-10100
	2	0	3	5DP3A-5150-*
	2	1	15	5DP3A-0230-*
180 amp.	0	1	8	5DP4-01100
	0	2	9	5DP4-02100
	1	0	1	5DP4-10100
	2	0	3	5DP4-5021-*
	2	1	15	5DP4-5091-*
260 amp.	0	1	8	5DP9-01100
	0	2	9	5DP9-02100
	1	0	1	5DP9-10100
	2	0	3	5DP9-5021-*
	2	1	15	5DP9-5091-*

* See Coil Table

Current Rating	Poles		Fig. No.	Open Type Catalog No.
	N.O.	N.C.		
360 amp.	0	1	8	5DP5-01100
	0	2	9	5DP5-02100
	1	0	1	5DP5-10100
	2	0	3	5DP5-5021-11
	2	1	15	5DP5-5051-11
535 amp.	0	1	8	5DP8-01100
	0	2	9	5DP8-02100
	1	0	1	5DP8-10100
	2	0	3	5DP8-5021-11
	2	1	15	5DP8-5051-11
700 amp.	0	1	8	5DP6-01100
	0	2	9	5DP6-02100
	1	0	1	5DP6-10100
	2	0	3	5DP6-5021-11
	2	1	15	5DP6-5051-11
700 amp.	0	1	8	5DP6-4001-22
	0	2	9	5DP6-3071-22
	1	0	1	5DP6-4011-22
	2	0	3	5DP6-5021-22
	2	1	15	5DP6-5051-22

Note:

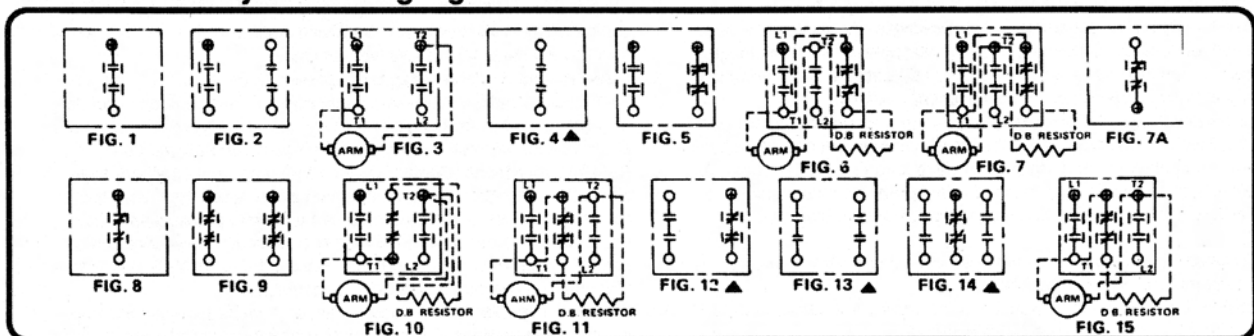
- PROVISION FOR SIDE-MOUNTED AUXILIARIES STANDARD. When top mounted provisions are desired, modify the 5th catalog number digit as follows: If digit is "5" replace with the number "0", if "6" use "1", if "7" use "2".

Reversing Kits

Description	Kit No.
Mechanical interlock 10/40 amp. & 40 amp.	5M115
Mechanical interlock 30-260 amps. contactors except 75 amp.	5999-4737
Mechanical interlock 75 amp. contactors	5999-4717
Mechanical interlock 360 & 535 amp.	5999-4757
Mechanical interlock for two 3-pole 700 amp. contactors	5999-4767
Mechanical interlock for two 700 amp. contactors (1-Pole & 2-Pole)	5M96

Description	Kit No.
Reversing baseplate for 10/40 & 40 amp. contactors	5999-8568
Reversing baseplate for 30, 56 & 75 amp. contactors	5999-8569
Reversing baseplate for 110, 180 & 260 amp. contactors	5999-8570
Reversing baseplate for 360 & 535 amp. contactors	5999-8571
Reversing baseplate for two 3-Pole 700 amp. contactors	5999-8572
Reversing baseplate for one 2-Pole 700 amp. & one 3-Pole 700 amp. contactors	5999-8573

Terminal Polarity and Wiring Figures:



Symbols: \perp N.O. Contact \perp Contact with Blowout \neq N.C. Contact \odot Positive Polarity

Contacts without blowouts do not have the interrupting rating. Contactors with blowouts will interrupt 200% current under abnormal conditions.