

# SERIES 781- SOCKET

## BENEFITS:

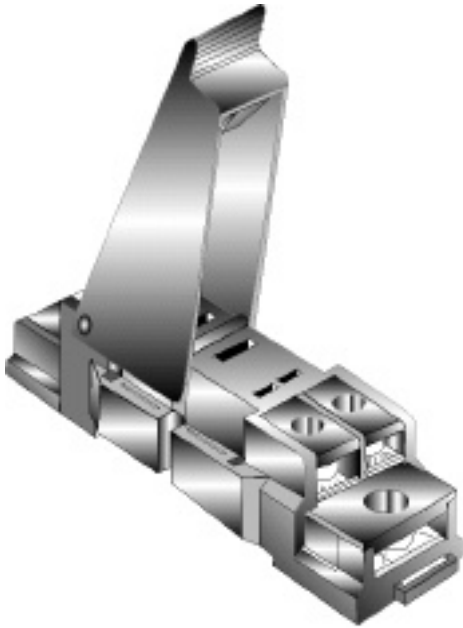
- FINGER SAFE.
- PANEL OR DIN RAIL MOUNT.
- SCREW TERMINALS WITH CLAMPING PLATES.
- RELAY HOLD DOWN AND EJECTION LEVER.

## GENERAL SPECIFICATIONS

ELECTRICAL RATING: 12 AMPS, 250 VAC  
 WIRE SIZE: UP TO 2-#12 AWG

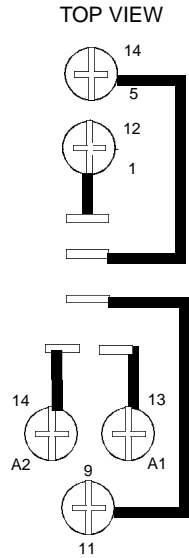
## OTHER MATING SOCKETS AVAILABLE:

- 1 PANEL MOUNT TYPE.
- 2 P.C.TYPE.



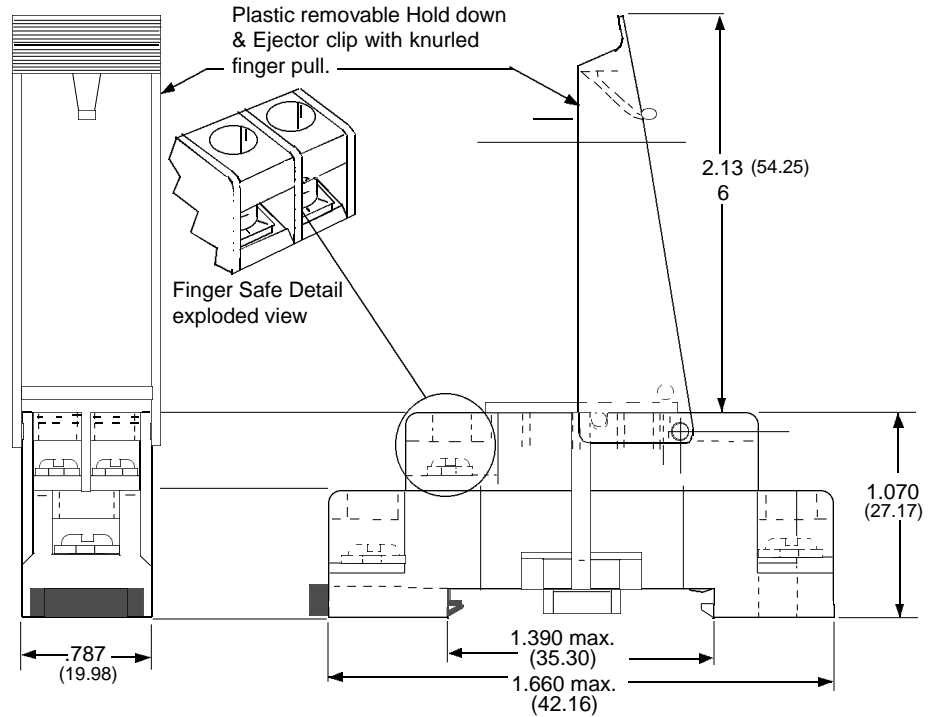
7  
RELAYS

## WIRING DIAGRAM



## OUTLINE DIMENSIONS

DIMENSIONS SHOWN ARE REFERENCE ONLY  
 Dimensions Shown in INCHES and (Millimeters)



## REPLACES IDEC SH1B-05 SERIES SOCKET

PART NO.	REMARKS
70-781-1	Supplied with removable hold down ejector clip