

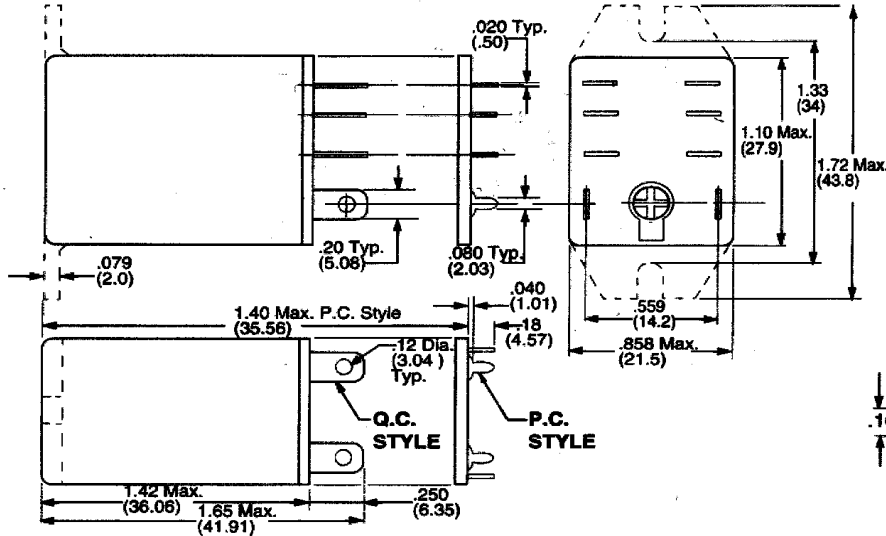
ICE CUBE STYLE SOLDER/PLUG-IN OR PC BOARD RELAY

CLASS 78 & 281

OUTLINE DIMENSIONS

Dimensions shown in INCHES and (MILLIMETERS)

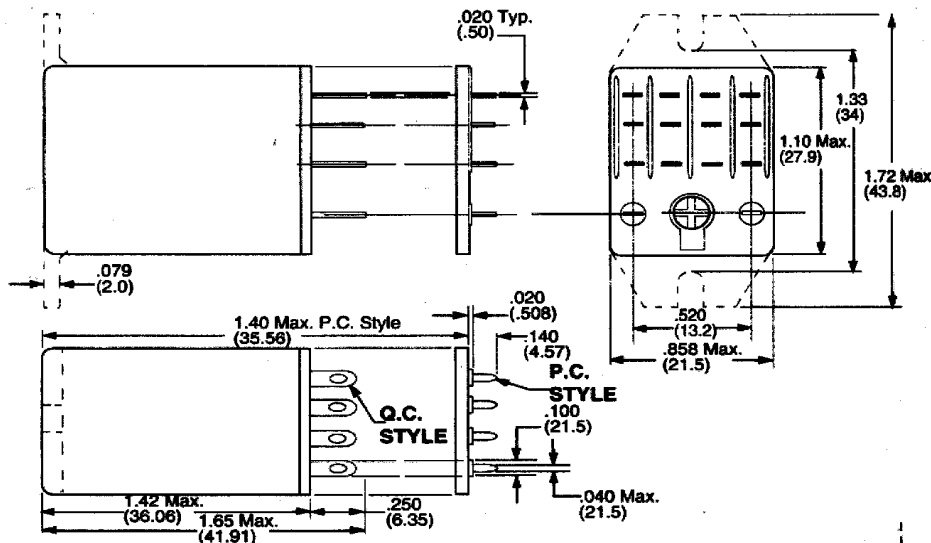
Optional FLANGED COVER available on special order as Non-Stock.



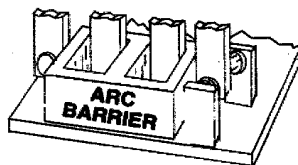
OUTLINE DIMENSIONS

Dimensions shown in INCHES and (MILLIMETERS)

Optional FLANGED COVER available on special order as Non-Stock.

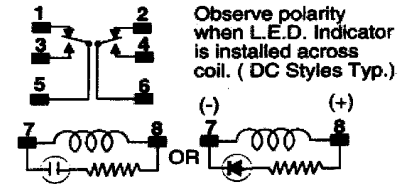


ALL 4 POLE RELAYS HAVE OPPOSITE POLARITY ARC BARRIERS AS A STANDARD FEATURE. ARC BARRIERS PROVIDE GREATER VOLTAGE PROTECTION BETWEEN ADJACENT POLES

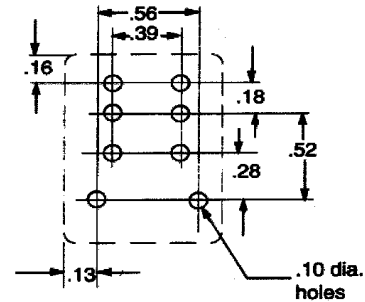


- DOUBLE POLE DOUBLE THROW
- 10 AMP LOAD @ 240VAC/30VDC RESISTIVE
- 1/3 HP 120VAC, 1/2 HP 240VAC
- CONTACT MATERIAL: SILVER CADMIUM OXIDE

WIRING DIAGRAM FOR DPDT RELAY



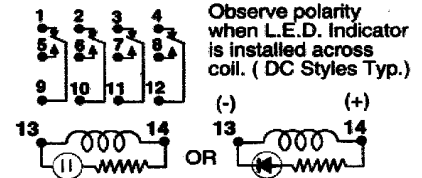
ALL INDICATOR LAMP STYLE RELAYS HAVE AN ADDITIONAL LAMP CIRCUIT INSTALLED ACROSS COIL.



P.C. MOUNTING HOLE LAYOUT (BOTTOM VIEW)

- FOUR POLE DOUBLE THROW
- 3 & 5 AMP LOAD @ 120/240VAC /30VDC RESISTIVE
- 1/10 HP 120VAC
- CONTACT MATERIAL: SILVER CADMIUM OXIDE

WIRING DIAGRAM FOR 4PDT RELAY



ALL INDICATOR LAMP STYLE RELAYS HAVE AN ADDITIONAL LAMP CIRCUIT INSTALLED ACROSS COIL.

