

OPEN STYLE 30 AMP POWER RELAY

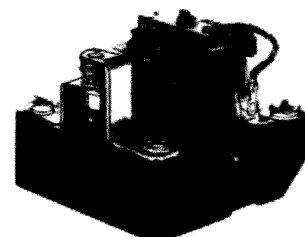
CLASS
199

7
RELAYS

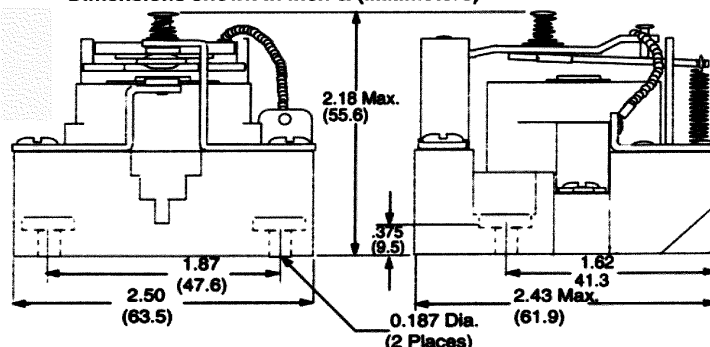
SPECIFICATIONS CLASS 199

- COIL**
 Pull-in Voltage: 80% DC Coils, 85% AC coils of nominal voltage or Less.
 Dropout Voltage: 10% of Nominal Voltage or More.
 Coil Resistance: ± 10%
 Max. Coil Dissipation: 4 Watts DC Continuous Duty.
- CONTACTS**
 Contact Combinations: SPDT (1 Form C) - DFDT 2 Form C)
 Contact Rating each Pole: 30 Amps up to 300VAC, 50/60Hz
 5 Amps @ 480/600 Vac, 0.75pF Inductive Load. 1-1/2 Hp Motor Load (each Pole) @ 120 thru 600 Vac, 50/60 Hz. 2 Hp Motor Load @ 200 thru 600 Vac, 50/60 Hz only when using two pole to switch both sides of Load. 30 Amps @ 28 Vdc Resistive Each Pole.
- Contact Material: Silver Cadmium Oxide, Gold Flashed. 5/16" Diameter Standard.
- TIMING**
 Operate time: 40 Milliseconds Max. @ Nominal V
 Release Time: 30 Milliseconds Max. @ Nominal V
- DIELECTRIC STRENGTH**
 Between Open Contacts: 1500 V rms
 Mutually Insulated
 Conductive elements: 2200 V rms
- TEMPERATURE**
 Operating: -30°C to +50°C (for AC) to 60°C (DC)
 Storage: -30°C to +100°C
- LIFE**
 Electrical (Rated Load): 100,000 Operations
 Mechanical (No Load): 5,000,000 Operations
- MISCELLANEOUS**
 Coil Terminals: 6-32 Binder Head Screws
 Contact Terminals: 8-32 Binder Head Screws
 Base Material: Molded Phenolic, UL Recognized (QMF22)
 Weight: 8 oz. - 227 Grams approx. (SPDT)
 11 oz. - 311 Grams approx. (DPDT)

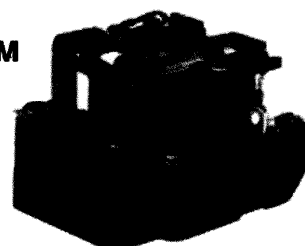
- CLASS 199 SPDT**
- 30 AMP @ 1-1/2 Hp
 - MOLDED PLASTIC INSULATION
 - SCREW TERMINALS
 - CLASS "B" COIL INSULATION SYSTEM



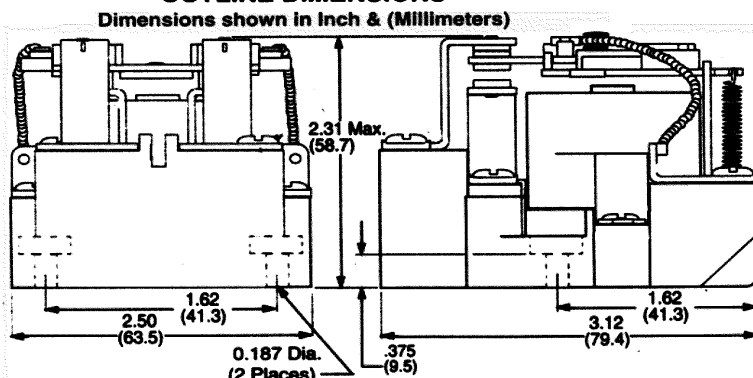
SPDT (1 FORM C) OUTLINE DIMENSIONS
 Dimensions shown in Inch & (Millimeters)



- CLASS 199 DPDT**
- 30 AMP @ 1-1/2 Hp
 - MOLDED PLASTIC INSULATION
 - SCREW TERMINALS
 - CLASS "B" COIL INSULATION SYSTEM



DPDT (2 FORM C) OUTLINE DIMENSIONS
 Dimensions shown in Inch & (Millimeters)



Magnecraft PART NUMBER		COIL Measured @ 25°C		
		NOMINAL INPUT VOLTAGE	NOMINAL RESISTANCE (OHMS)	NOMINAL POWER
SPDT	DPDT			
AC OPERATED				
W199AX-4	W199AX-13	24 VAC	-	10 VA
	W199AX-14	120 VAC	-	10 VA
	W199AX-15	240 VAC, 60 Hz 220 VAC, 50 Hz	-	10 VA
DC OPERATED				
W199X-2 W199X-3	W199X-11	6 VDC	18	2.0 W
	W199X-12	12 VDC	70	2.0 W
	W199X-13	24 VDC	290	2.0 W
	W199X-14	110 VDC	6000	2.0 W
RECTIFIED, AC OPERATED				
	W199AXD-38 †	208, 240, 277 VAC	-	See Note ††

† Built in Coil Diodes provide a wide range of Nominal Coil input voltages. This relay is suitable to Operate within a range of 208 Vac thru 277 Vac.
 †† 208 Vac = 2.3 VA, 240 Vac = 3.0 VA, 277 Vac = 4.0 VA.

OTHER COIL VOLTAGES ARE AVAILABLE ON SPECIAL ORDER.