
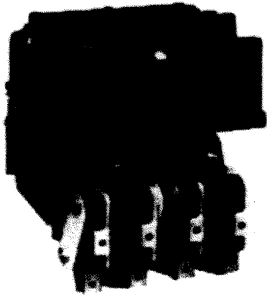


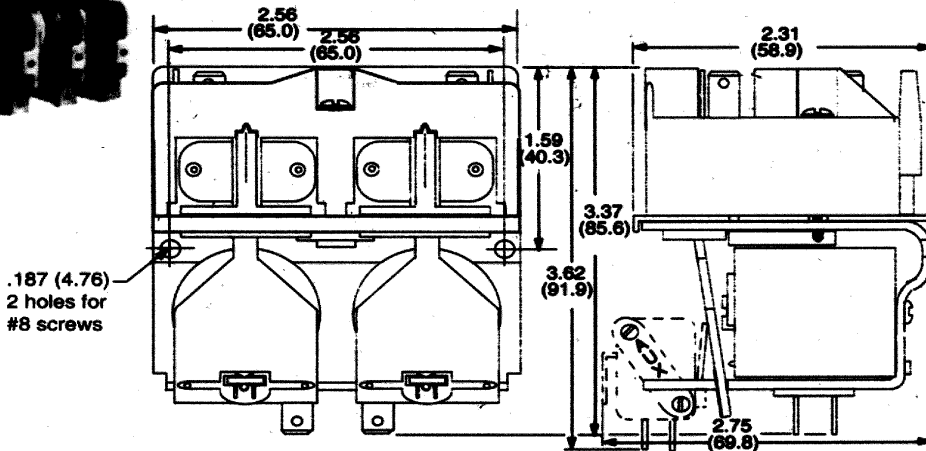
MOTOR REVERSING CONTACTOR, 1 & 2 HP, 6 POLE

SERIES A275

 The Series A275 relay is a 2 coil, compact motor reversing contactor which finds extensive applications in the industrial door operator industry, the hoist industry and electronic wheel balancers, to name a few. The A275 has Q.C. coil terminals extending out the back (opposite the contact terminals), mechanically interlocked armatures is a standard feature.

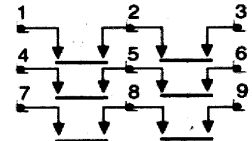


OUTLINE DIMENSIONS
Dimensions shown in Inch and (Millimeters)



WIRING DIAGRAM

TOP VIEW
Main contact terminals are numbered on contactor



Auxiliary contact Snap Switches

AC COIL SPECIFICATIONS @ 25°C

Nominal Voltage	Resistance Ohms ± 10%	Power Consumption
12V/50-60hz	1.24	17VA
24V/50-60hz	4.63	16.7VA
110V/50-120V/60hz	125	16.8VA
220V/50-240V/60hz	500	16.8VA

DC COIL SPECIFICATIONS @ 25°C

Nominal Voltage	Resistance Ohms ± 10%	Power Consumption
12	31.0	4.5W
24	125	4.6W
32	210	4.9W
48	500	4.6W
120	3240	4.4W

Polypropylene encapsulated coils

CONTACT RATINGS

AC CONTACTS: (Apply only with contacts in use, not on a "per pole" basis).

VOLTAGE (60HZ)	PHASE	MOTOR LOADS (HP)	RESISTIVE LOAD (AMPS)
120	1 - 2 - 3	1	15
240	1	1.5	10
240	2 - 3	3	10
480/600	2 - 3	3*	5

DC CONTACTS

VOLTAGE (DC)	RESISTIVE LOAD (AMPS)
30	15
125	5

600 volt spacing to ground.
300 volt spacing for auxiliary contacts.
* 480/600 volt models with electric interlocks are rated for 2 hp.

GENERAL SPECIFICATIONS

COIL	
Pull-in Voltage:	AC: 85%, DC: 80% of nominal voltage measured at 25°C
Dropout Voltage:	10% of nominal voltage or more @ 25°C
Max. allowed voltage:	110% of nominal voltage
Coil Resistance:	±10% Measured @ 25°C
CONTACTS	
Contact Material:	Silver Cadmium Oxide.
TIMING	
Operate Time:	50 mS Max. @ Nominal Voltage.
Release Time:	30 mS Max. @ Nominal Voltage.
DIELECTRIC STRENGTH	
All Mutually Insulated Points:	2500 V rms between all mutually insulated current carrying parts and those parts to ground.
Insulation Resistance:	500 VDC Exceeds 1000 Megohms.
TEMPERATURE	
Temperature Rating:	AC: -45°C to +50°C @ rated operation. DC: -45°C to +70 °C @ rated operation.
LIFE EXPECTANCY	
Mechanical:	5 Million Operations no load
Electrical:	100,000 Operations @ Rated Load. 500,000 Operations @ 1/2 rated load.
MISCELLANEOUS	
Weight:	1 pound. approx.

OPTIONS (CONSULT FACTORY)

ORDERING CODE
Typical Type No. **A275 KXX 90 -24A**

Series _____
A275, 1/4" Terminals, motor reversing.
Continuous, 1 & 2hp, 3 pole models

Contact Arrangements _____
KXX (3PDM-NO., per coil)

Options _____
2 Aux. contacts, each 1 form "C"
(1 per coil) 1/4" Q.C. terminals - **CODE 90**
4 Aux. contacts, each 1 form "C"
(2 per coil) 1/4" Q.C. terminals - **CODE 91**

Coil Voltage _____
AC: 12, 24, 110, 120, 220, 240 (Add "A")
DC: 12, 24, 32, 48, 120 (Add "D")