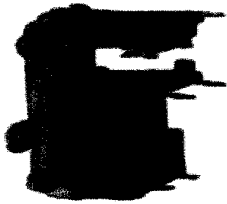


# HIGH VOLTAGE SWITCHING RELAYS CLASS 158\_102V

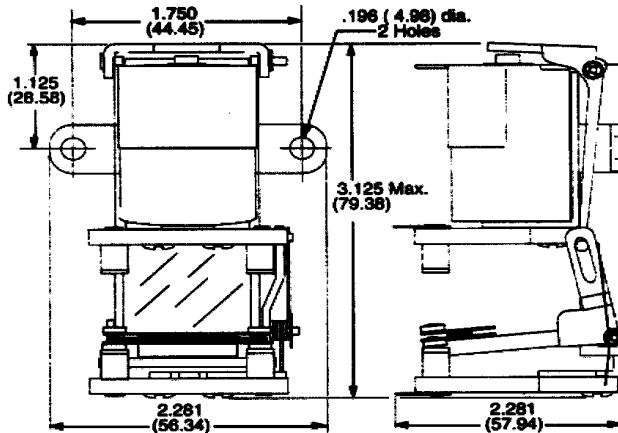


**CLASS 158**  
**SPDT-DB-DM CONTACT CONFIGURATION**  
**SWITCHES LOADS UP TO 1KVA**

**SPECIFICATIONS**

- COIL**  
 Coil Dissipation: DC 5 Watts.
- CONTACTS**  
 Contact Material: Silver alloy, Gold Flashed, 1/4" dia.  
 Contact Configuration: SPDT-DB-DM  
 Switching Voltage max.: 5000 VDC  
 Contact Rating: 200 mA @ 5000 VDC  
 1 Amp @ 1000 VDC
- DIELECTRIC STRENGTH**  
 Across open contacts: 7500 V rms  
 Contact to Coil: 8500 V rms  
 Contact to Frame: 3000 V rms  
 Insulation Resistance: 500 VDC, Exceeds 100 MΩ
- TEMPERATURE**  
 Operating: -40°C to +85°C
- LIFE EXPECTANCY**  
 Electrical: 100,000 ( Rated Load)  
 Mechanical: 5 Million Operations (No Load) Min.
- MISCELLANEOUS**  
 Mounting: Bracket with 2 Clearance holes  
 0.196 dia.  
 Weight: 212.6 grams

**OUTLINE DIMENSIONS**  
 DIMENSIONS SHOWN ARE IN INCHES AND (MILLIMETERS)

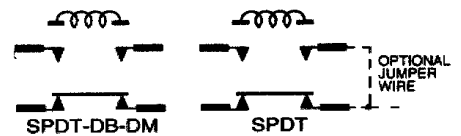


| Magnecraft Part Number | Contact Configuration | Coil Measured at 25°C |                           |                       |
|------------------------|-----------------------|-----------------------|---------------------------|-----------------------|
|                        |                       | Nominal Input Voltage | Nominal Resistance (Ohms) | Nominal Power (Watts) |
| W158HVX-1              | SPDT-DB-DM            | 24VDC                 | 120                       | 5                     |

NOTE: Other voltages and contact combinations available.

**WIRING DIAGRAM**

VIEWED FROM PIN END

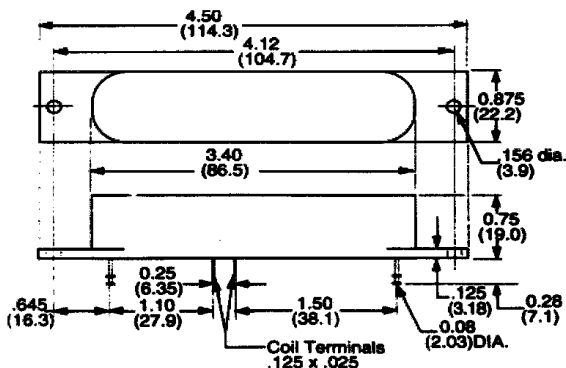


**CLASS 102V**  
**EPOXY ENCAPSULATED**  
**SPST-NO TUNGSTEN CONTACTS**  
**SWITCHES LOADS UP TO 10 mA @ 5000V**  
**CLASS 102HV**

Same as above except:  
 Switches 10,000V with Loads up to 5 mA

Do not hook wire heavier than #22 AWG, since excess stress on terminals could cause damage to internal components

**OUTLINE DIMENSIONS**  
 DIMENSIONS SHOWN ARE IN INCHES AND (MILLIMETERS)



| Magnecraft Part Number            | Contact Configuration | Coil Measured at 25°C |                           |               |
|-----------------------------------|-----------------------|-----------------------|---------------------------|---------------|
|                                   |                       | Nominal Input Voltage | Nominal Resistance (Ohms) | Nominal Power |
| <b>5,000 VOLTS NORMALLY OPEN</b>  |                       |                       |                           |               |
| W102VX-49                         | SPST-NO               | 6 VDC                 | 70                        | 500 mW        |
| W102VX-50                         | SPST-NO               | 12 VDC                | 250                       | 580 mW        |
| W102VX-51                         | SPST-NO               | 24 VDC                | 1000                      | 580 mW        |
| <b>10,000 VOLTS NORMALLY OPEN</b> |                       |                       |                           |               |
| W102HVX-3                         | SPST-NO               | 24 VDC                | 400                       | 1.5 Watts     |

NOTE: Other voltages and contact combinations available.  
 Pull-in is measured at 75% of nominal voltage or less, at 25°C  
 Weight: 49.2 grams, 1.74 oz.