

## G5L

## Power PCB Relay

### Features

- Ideal for applications in security equipment, household electrical appliances, garage door openers, and audio equipment
- Sealed and semi-sealed versions are resistant to flux wicking
- Low profile



# 7 RELAYS

### Contact Data

#### Contact ratings

**Standard:** 5 A, 120 VAC, 30 VDC (Resistive); 5 A, 250 VAC;  
1/8 HP, 120 VAC; 125 VA, 120 VAC (Pilot duty)  
**High-capacity:** 10 A, 120 VAC; 8 A, 30 VDC (Resistive); 10 A, 250 VAC; 1/3 HP, 120 VAC

#### Contact material

AgCdO

#### Maximum operating voltage

250 VAC, 125 VDC

#### Maximum operating current

**Standard:** 5 A (AC/DC)  
**High-capacity:** 10 A (AC), 8 A (DC)

#### Maximum switching capacity

**Standard:** 600 VA, 150 W  
**High-capacity:** 1,200 VA, 240 W

#### Minimum permissible load

100 mA at 5 VDC

### Coil Data (% of rated voltage)

**Pickup voltage** 75% max.

**Droopout voltage** 10% min.

**Maximum voltage** 130% at 70°C

### Characteristic Data

**Initial contact resistance** 100mΩ max.

**Operate time** 10ms max. (mean value: approx. 5.1ms)

**Release time** 5ms max. (mean value: approx. 2.1ms)

**Insulation resistance** 100MΩ min. (at 500 VDC)

#### Dielectric strength

**Between coil and contacts:** 2,000 VAC, 50/60 Hz for 1 minute  
**Between contacts of same polarity:** 750 VAC, 50/60 Hz for 1 minute

**Ambient temperature** -40° to 70°C (with no icing)

#### Service life

**Mechanical:** 10,000,000 operations min.  
(at operating frequency of 18,000 operations/hour)  
**Electrical:** 100,000 operations for resistive loads

### Construction Data

**Termination** PCB terminals

**Construction** Sealed, unsealed, semi-sealed

**Weight** .42 oz. (12 g)

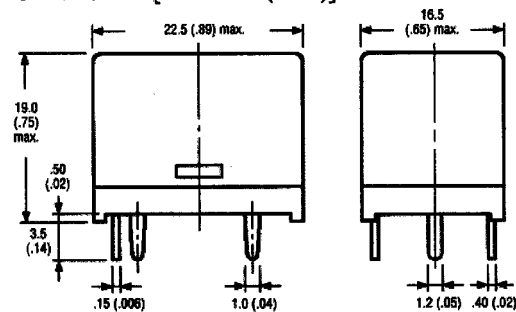
**Packaging method** Trays

### Ordering Information

Part number	Rated voltage (V)	Coil res. (Ohms)	Power (mW)	Contact rating	Type
G5L-117P-PS-DC12	12 DC	360	400	5 A	SPDT
-DC24	24 DC	1,440	400	5 A	Standard Semi-Sealed
G5L-114P-PS-DC5	5 DC	63	400	5 A	SPDT
-DC6	6 DC	90	400	5 A	Standard
-DC12	12 DC	360	400	5 A	Sealed
-DC24	24 DC	1,440	400	5 A	
-DC48	48 DC	5,760	400	5 A	
G5L-1114P-PS-DC5	5 DC	63	400	5 A	SPST-NO
-DC12	12 DC	360	400	5 A	Standard
-DC24	24 DC	1,440	400	5 A	Sealed
G5LE-114P-PS-DC5	5 DC	63	400	10 A	SPDT
-DC12	12 DC	360	400	10 A	High-Capacity
-DC24	24 DC	1,440	400	10 A	Sealed
G5LE-1114P-PS-DC12	12 DC	360	400	10 A	SPST-NO
-DC24	24 DC	1,440	400	10 A	High-Capacity Sealed

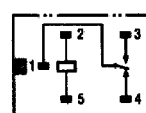
- Note: 1. Other coil voltages available.  
2. Class B insulation available.  
3. Gold-plated contacts available.

### Dimensions [Unit: mm (inch)]

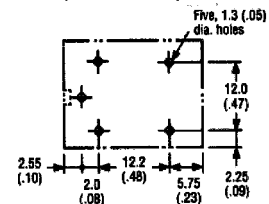


### Terminal arrangement/ Internal connections (bottom view)

#### SPDT



### Mounting holes (bottom view)



- Note: 1. For SPST-NO version, remove terminal no. 4.  
2. ■ and □ indicate mounting orientation marks.