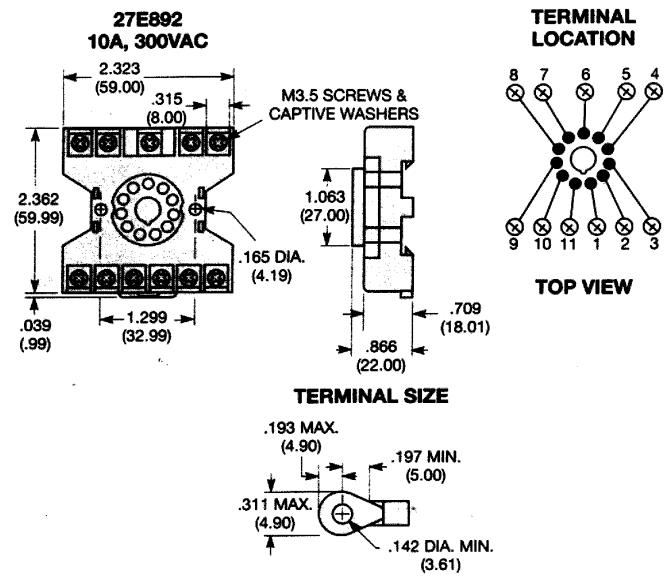
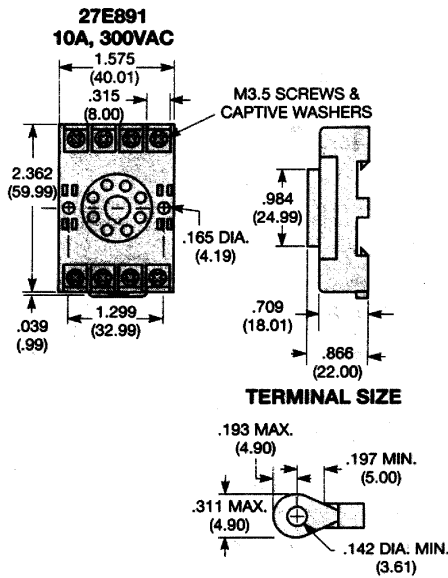


**SOCKETS FOR KRP, KRPA SERIES RELAYS**

The following sockets are normally maintained in stock for immediate delivery.

**SCREW TERMINAL, DIN RAIL SNAP-MOUNT SOCKETS  
(Use with mounting track 24A110)**



Sockets have M3.5 screw terminals which accept up to two #12 AWG wires. Rated 10 amps @ 300VAC and meets UL 94V-O. Socket shipped with two 20C317 anchor clips.

**SCREW TERMINAL SOCKETS**

