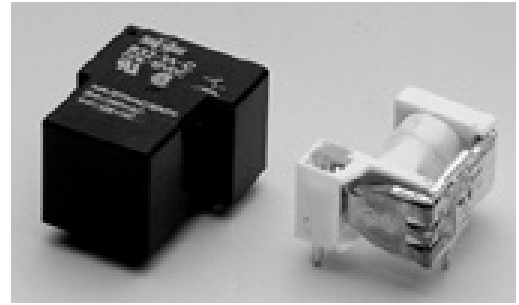


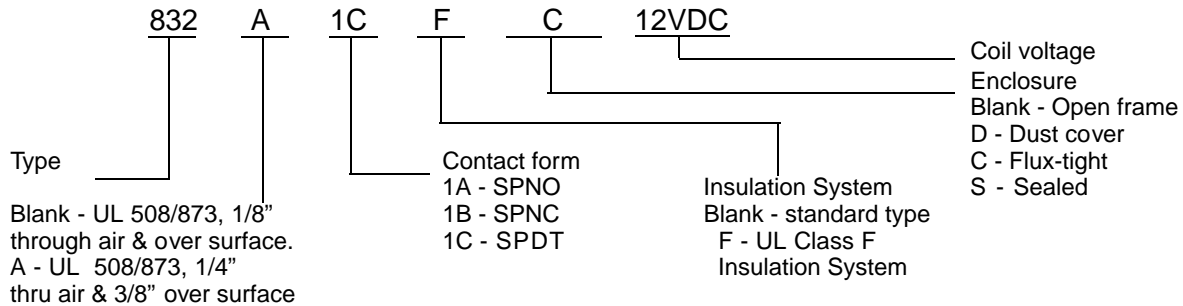
832/832A

FEATURES

- Miniature, 20-30 amps
- UL, CSA & VDE
- UL Class F Insulation System optional
- UL 508/ UL873 spacing, 1/4" through air and 3/8" over surface
- Special 1.9 mm contact gap optional - SPNO
- Open-frame, dust cover, flux-tight or sealed



ORDERING INFORMATION



SAFETY APPROVAL

Certified	UL	CSA	VDE
File No.	E88991	LR90143	6615üG

SAFETY APPROVAL RATING (UL, CSA, VDE)

	1A	1B	NO	1C	NC	1A	1C
	30A 277VAC 20A 30VDC 2 HP, 250VAC 1 HP, 125VAC TV-5	15A 277VAC 15A 30VDC 1/2 HP, 250VAC 1/4 HP, 125VAC	20A 277VAC 20A 30VDC 2 HP, 250VAC 1 HP, 125VAC TV-5	10A 277VAC 10A 30VDC 1/2 HP, 250VAC 1/4 HP, 125VAC		30A 250~(AC)	20A 250~(AC)

COIL DATA (DC)

Rated voltage (V)	Rated current ± 10 % at 25° (mA)	Coil resistance ± 10 % at 25° ()	Max.continuous voltage 25°C	Pick up voltage (Max) 25°C	Drop out voltage (Min) 25°C	Power consumption at rated voltage
5	185	27	110% of rated voltage	75% of rated voltage	10% of rated voltage	approx. 0.93W
6	150	40				
9	93	97				
12	77	155				
24	36	660				
48	18	2560				
110	8	13450				