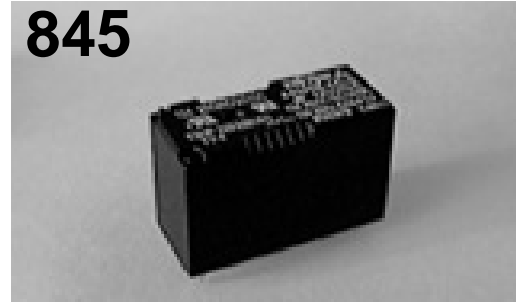


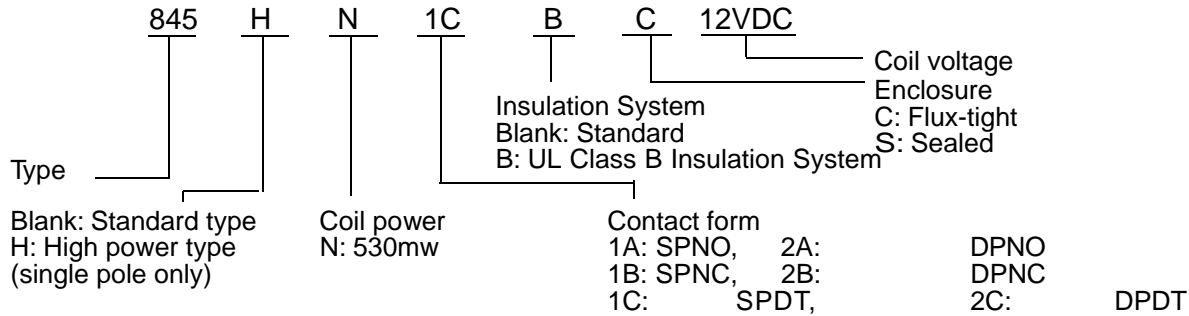
FEATURES

- Sub-Miniature —1 or 2 pole, 5-12 amps
- Low profile — 18.5mm
- UL, CSA & TUV
- VDE 8mm spacing, 4 KV dielectric
- 5mm & 3.5mm pinning
- Flux-tight or Sealed
- UL Class B Insulation System Optional

845



ORDERING INFORMATION



SAFETY APPROVAL

Certified	UL & CUR	TUV
File No.	E88991	R9754014

SAFETY APPROVAL RATING 845HN, 1 Pole

	UL & CUR (1A, 1B, 1C)	TUV (1A, 1B, 1C)
	12A 277VAC 12A 30VDC 1/2HP 125VAC/250VAC TV-5 (1A)	12A 250V~(AC) 12A 30V =(DC) 10A 250V~(AC) COS ϕ 0.4

SAFETY APPROVAL RATING 845N, 2 Pole

	UL & CUR (2A, 2B, 2C)	TUV 845 (2A, 2B, 2C)
	5A 277VAC 5A 30VDC 1/8 HP, 125VAC/250VAC TV-3 (1A)	5A 250V~(AC) 5A 30V =(DC) 3A 250V~(AC) COS ϕ 0.4

COIL DATA (DC) High sensitivity type

Rated voltage (V)	Rated current $\pm 10\%$ at 25° (mA)	Coil resistance $\pm 10\%$ at 25° ()	Max.continuous voltage 25°C	Pick up voltage (Max) 25°C	Drop out voltage (Min) 25°C	Power consumption at rated voltage
3	176	17	110% of rated voltage	80% of rated voltage	10% of rated voltage	approx. 0.53W
5	105	48				
6	88	68				
9	60	150				
12	44	275				
18	30	610				
24	22	1100				