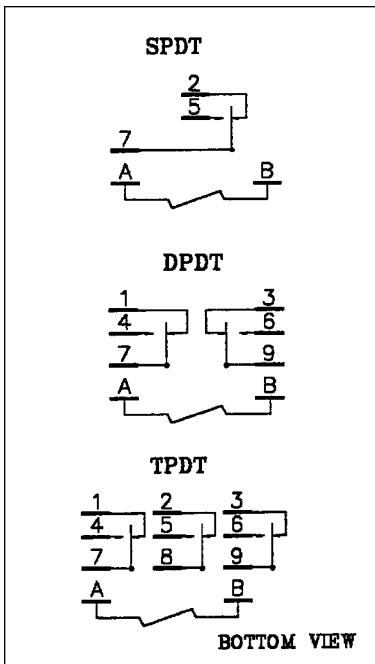


COIL DATA (AC)						
	Rated voltage (V)	Coil resistance $\pm 10\%$ at 25° ()	Max. continuous voltage 25°C	Pick up voltage (Max) 25°C	Drop out voltage (Min) 25°C	Power consumption at rated voltage
SP	12	21	100% of rated voltage	85% of rated voltage	30% of rated voltage	approx. 2.0VA
	24	85				
DP	120	2250				
	240	9110				
TP	12	18				approx. 2.7VA
	24	72				
	120	1700				
	240	7200				

SPECIFICATION		
Contact resistance	50 m Max. (initial value)	
Operate time	15ms	
Release time	10ms	
Insulation resistance	1000M Min. (DC 500V)	
Dielectric strength	Between open contact	AC 1000V, 50/60Hz 1 min.
	Between contact and coil	AC 1500V, 50/60Hz 1min.
	Between contact circuits	AC 1500V, 50/60Hz 1 min.
Vibration resistance	Operating extremes	10~50Hz, amplitude 1.0mm
	Damage limits	>10~50Hz, amplitude 1.5mm
Shock resistance	Operating extremes	>10G
	Damage limits	>100G
Life expectancy	Mechanical	>10,000,000 operations (frequency 18,000 operations/hr)
	Electrical	>100,000 operations (frequency 1,200 operations/hr)
Operating temperature	-45 ~ +70° C (no freezing)	
Weight	Approx. 79.2g	

WIRING DIAGRAM

OUTLINE DIMENSIONS
