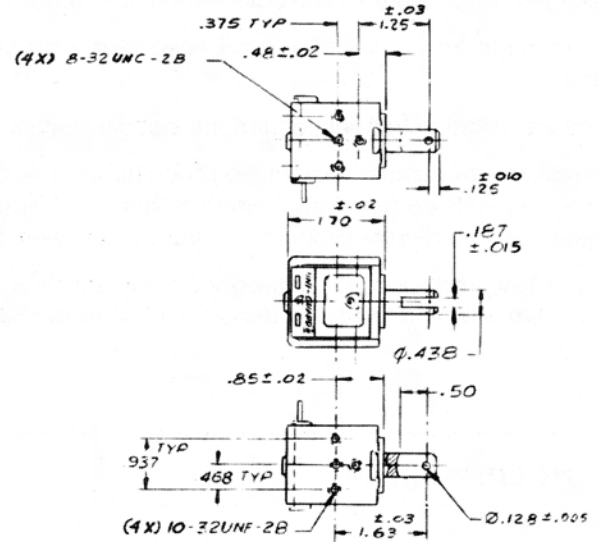
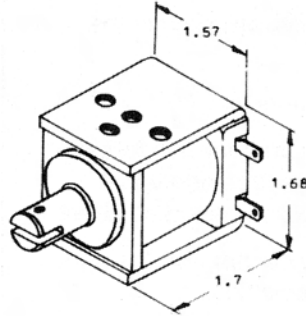




NO. 2HD - BOX FRAME - AC & DC

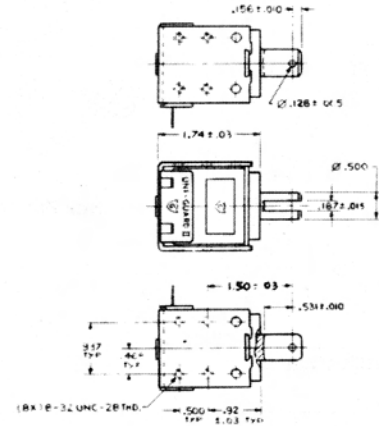
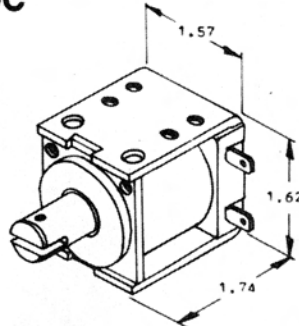
- Heavy Duty Construction
- Uniguard II bobbin and coil cover
- .187" Quick connect lugs
- Standard/stock AC voltage 120
- Standard/stock DC voltage 24
- Class "A" insulation system
- Stroke length 0-3/4"
- Plunger weight 1.18 oz. (33.5 grams)
- Total weight 11.7 oz. (333 grams)



Coil Voltage	Coil Res. Ω	Duty	Pull at 1/8"	Holding Force	PART NUMBERS
120VAC	42	Int.	63 oz.	75 oz.	2HD-I-120A
120VAC	101	Cont.	25 oz.	60 oz.	2HD-C-120A
24VDC	22.6	Int.	96 oz.	193 oz.	2HD-I-24D
24VDC	71	Cont.	48 oz.	155 oz.	2HD-C-24D

NO. 3HD - BOX FRAME - AC & DC

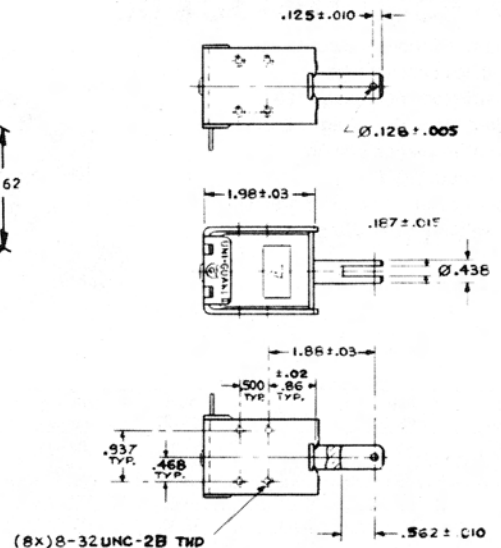
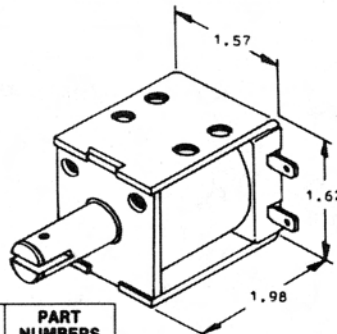
- Heavy Duty Construction
- Uniguard II bobbin and coil cover
- .187" Quick connect lugs
- Standard/stock AC voltage 120
- Standard/stock DC voltage 12, 24
- Class "A" insulation system
- Stroke length 0-1"
- Plunger weight 1.5 oz. (43 grams)
- Total weight 10.7 oz. (303 grams)



Coil Voltage	Coil Res. Ω	Duty	Pull at 1/8"	Holding Force	PART NUMBERS
120VAC	23	Int.	88 oz.	110 oz.	3HD-I-120A
120VAC	100	Cont.	26 oz.	50 oz.	3HD-C-120A
12VDC	5.45	Int.	128 oz.	248 oz.	3HD-I-12D
12VDC	16.7	Cont.	55 oz.	207 oz.	3HD-C-12D
24VDC	21.1	Int.	128 oz.	248 oz.	3HD-I-24D
24VDC	65.8	Cont.	55 oz.	207 oz.	3HD-C-24D

NO. 4 - BOX FRAME - AC & DC

- Uniguard II bobbin and coil cover
- .187" Quick connect lugs
- Standard/stock AC voltage 120
- Standard/stock DC voltage 12, 24 & 110*
- Class "A" insulation system
- Stroke length 0 - 1"
- Plunger weight 1.6 oz. (45 grams)
- Total weight 12.6 oz. (358 grams)



Coil Voltage	Coil Res. Ω	Duty	Pull at 1/8"	Holding Force	PART NUMBERS
120VAC	37	Int.	36 oz.	52 oz.	4-I-120A
120VAC	133	Cont.	10 oz.	20 oz.	4-C-120A
12VDC	3.96	Int.	100 oz.	200 oz.	4-I-12D
12VDC	15.8	Cont.	60 oz.	156 oz.	4-C-12D
24VDC	15.8	Int.	100 oz.	200 oz.	4-I-24D
24VDC	61.3	Cont.	60 oz.	156 oz.	4-C-24D
110VDC*	296	Int.	100 oz.	200 oz.	4-I-110D
110VDC*	1215	Cont.	60 oz.	156 oz.	4-C-110D

*Can be powered with 110VDC or full wave rectified 120 VAC