

**INDUSTRIAL SOLID STATE
MULTIFUNCTION TIMER**

**MODEL 1090
PLUG-IN / PANEL MOUNT**



Multifunction—Multiple Time Ranges

FEATURES:

- 5 programmable timing functions
- 12 programmable time ranges from .02 secs to 100 hours
- Auto-calibrating dial provides direct reading of time setting in every range
- Wide range of operating voltage options from 12VDC to 240 VAC
- LED indicators for Power & Operate

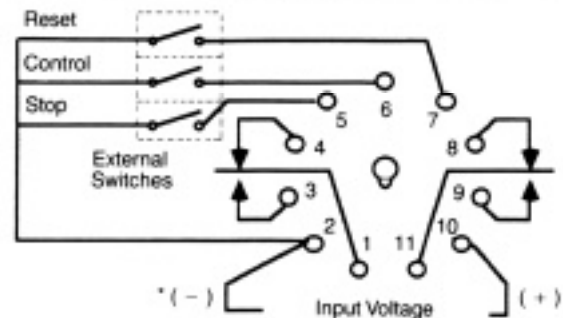
ORDERING DATA

ORDERING CODE (Example: 1090-3-P-3-B)	1090	-	3	-	P	-	3	-	B
BASIC MODEL NUMBER	1090								
INPUT VOLTAGE	1	2	3	4	5				
	120VAC	240VAC	24VAC	24VDC	12VDC				
TIME RANGE	P (Includes the following ranges)								
	.02 sec-1 sec	.02 min-1 min	.02 hr-1 hr						
	.10 sec-5 sec	.10 min-5 min	.10 hr-5 hr						
	.20 sec-10 sec	.20 min-10 min	.20 hr-10 hr						
	2.00 sec-100 sec	2.00 min-100 min	2.00 hr-100 hr						
TIMING FUNCTION	3 Programmable								
	A	B	C	D	E				
	On Delay	One shot, interval	One shot, On/Off	Off Delay	Repeat cycle				
OUTPUT	B Relay DPDT								
APPLICABLE ACCESSORIES									
11 pin socket	RP-322								
11 pin cable plug	RP-324								
Panel mounting clamp	RP-325								
Protective cover	RP-326								

SPECIFICATIONS

INPUT	VOLTAGE: 120VAC, 240VAC, 24VAC, 24VDC, 12VDC FREQUENCY: 50/60Hz (AC models) POWER CONSUMPTION: 10VA (AC models) 2W (DC models) TRANSIENT PROTECTION: MOV
OUTPUT	TYPE: Electromechanical Relay MECHANICAL LIFE: 10,000,000 operations ELECTRICAL LIFE: 100,000 operations minimum (at full rated load) RATING: 5A at 250VAC (resistive)
TIMING	TYPE: Multifunction REPEAT ACCURACY: ± .3% of setting TIMING RANGE: .02 secs to 100 hr in 12 ranges RESET TIME: < 100 ms at maximum time setting
PHYSICAL	OPERATING TEMPERATURE: - 10° to + 50 °C (14° to 122 °F) TIMING VARIATION VS TEMPERATURE: ± 2% maximum MOUNTING: Plug-in or panel mount TERMINATION: 11 pin socket HOUSING: Polycarbonate

WIRING



*Polarity indicated for DC models only.

DIMENSIONS inches (millimeters)

