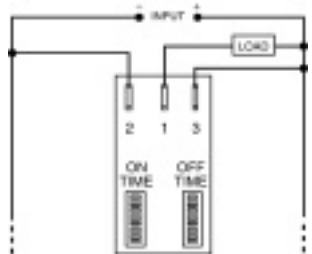


**Recycling Timing Modules**  
 ✓ Digital Accuracy- Switching External Adjust



3.13" x 4.50" x 1.28" (80x114x33mm)

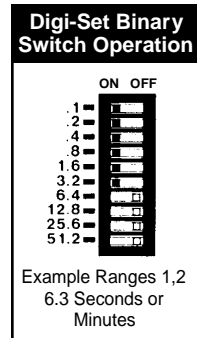
**Connection Diagram**



**RS Series (On/Off Recycling)**

- Digital C/MOS Integrated Circuitry
- Switch Selectable Delays from 0.1 Second to 17.05 Hours, in 3 ranges
- Independent Adjustment of On time and Off time, On time first
- ± 0.1% Repeat Accuracy
- Fully Solid State and Encapsulated
- Output: 1 Ampere Steady State, 10 Amperes Inrush at 60°C
- Operating Temperature: -40°C to +80°C
- .25" (6.35mm) Quick Connect Terminals

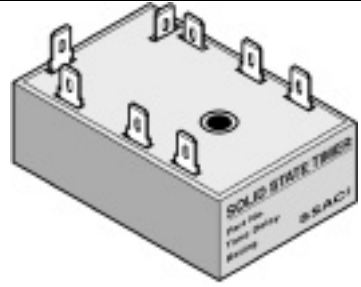
**Description:** The RS Series is a solid state, encapsulated, recycling timer designed for tough industrial environments. It's used by many testing labs as a life cycle tester; by others as a cycle controller. The RS Series has separate 10 switch adjustments for the ON delay and the OFF delay. These make possible accurate adjustment the first time and every time. Digital circuitry means accuracy and stability



Part Number	Operating Voltage	First Delay ON Time	Second Delay OFF Time
RS4A11	120VAC	0.1 to 102.3 sec	0.1 to 102.3 sec
RS4A22	120VAC	0.1 to 102.3 min	0.1 to 102.3 min
RS4A33	120VAC	1 to 1,023 min	1 to 1,023 min

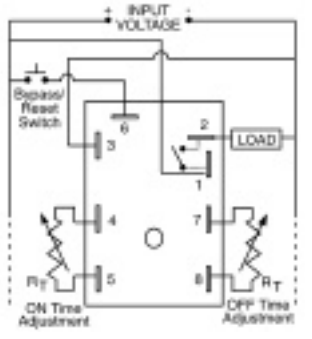
Other Voltages and Options Available.

**The Above Part Numbers are In Stock**  
 Other Options and Voltages are Available



2.0" x 3.0" x 1.50" (51x76x38mm)

**Connection Diagram**



**HRDR Series (ON/OFF or OFF/ON Recycling)**

- High Power Recycling Time Delay Relay
- 15 Amps UL-30 Amps CSA SPST Contacts
- External Adjustment (Fixed Delays are Available)
- 1 Second to 500 Minutes in 4 Ranges
- Digital Circuitry ±0.5% Accuracy
- 120VAC Input Voltage
- Encapsulated Circuitry
- Single Screw Mounting

**Description:** The HRDR Series combines digital recycling timing with a high power relay output. Both time delays are separately adjustable with external potentiometers. The bypass/reset option allows the operator to interrupt the normal recycling sequence and energize the output relay. The relay remains energized until the switch is released. The normal recycling operation then continues from the beginning of the first delay. This option is excellent for stirring, venting, defrost, or drying applications.

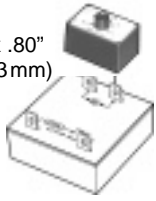
Input Voltage	ON Time	OFF Time	First Delay	Part Number	Accessory VTP P/N	
					ON	OFF
120VAC	1 to 100 S	1 to 100S	ON Time	HRDR431A1R	VTP2G, VTP2G	
	1 to 100 S	1 to 100 M	ON Time	HRDR431A4R	VTP2G, VTP2P	
	1 to 100 S	1 to 100 M	OFF Time	HRDR431B4R	VTP2G, VTP2P	
	10 to 1000 S	5 to 500 M	OFF Time	HRDR432B5R	VTP2K, VTP2R	

Other options and voltages available

**Accessories:**

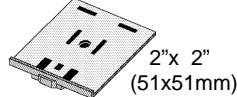
**PLUG-ON ADJUST MODULE**

.99" x 1.26" x .80" (25.1x32x 20.3mm)



**VTP Module**  
 Pushes On Adjustment Terminals  
 Quick, Easy, Cost Effective

**35mm DIN Rail Adaptor**



2" x 2" (51x51mm)  
 For Use With SSAC Timer Modules (Comes With Hardware)  
 Part Number:P1023-20 (S102320-1)